



SPORTS CONSTRUCTION 2017

GILLATHLETICS.COM 800.637.3090

OFFICIAL
PARTNER



OFFICIAL TRACK & FIELD
EQUIPMENT SUPPLIER

GILL[®]

ATHLETICS

GILL[®]

A T H L E T I C S

1.800.637.3090 | GILLATHLETICS.COM

Fax: 217.367.8440 Email: sales@gillathletics.com  Gill Athletics  @gillathletics



SPORTS CONSTRUCTION

TRACK & FIELD

- Cages 2-13
- Circles & Toeboards 14-15
- Sandpit Forms & Covers 16-17
- Vault Boxes 18-19
- Steeplechase 20-21
- Take-off Boards & Track Curbing 22-23

FOOTBALL

- Football Goals 24-25
- Goal Post Padding 26
- Combination Goals 27
- Football Accessories 28

SOCCER

- Field Hockey, Lacrosse, & Futsal Goals 29
- Soccer Goals 30-35
- Nets & Accessories 36-37
- Safety Anchors & Corner Flags 38-39

SEATING & MORE

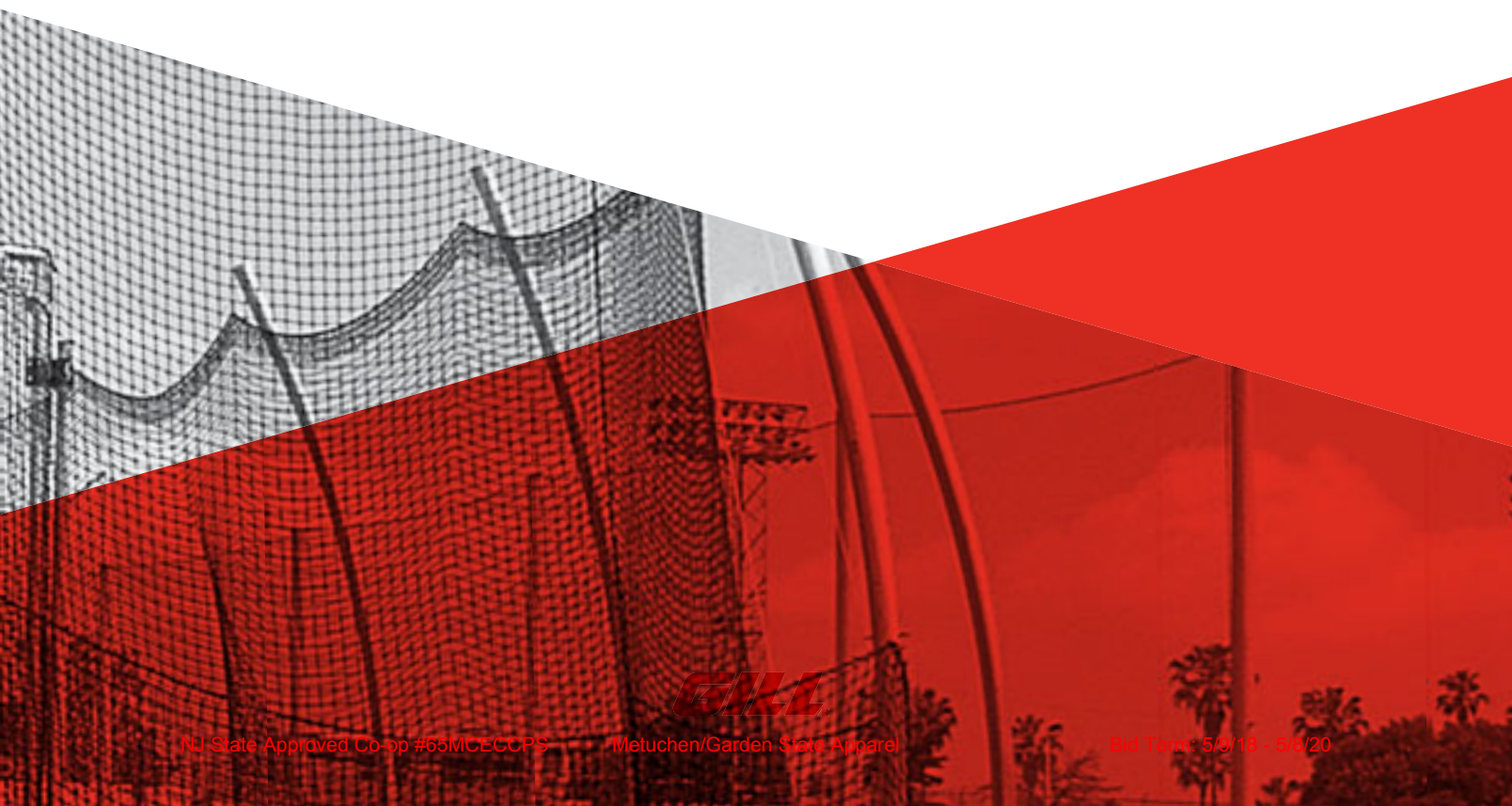
- Ballstops 40
- Versacom Boxes 41
- Benches & Bleachers 42-43
- Seating Shelters & Press Box 44

BASEBALL

- Foul Poles 45
- Pitcher's Mound 46
- Batting Tunnels & Cage 47
- Bases 48
- Dugouts 49
- Baseball Padding 50-51

TENNIS

- Tennis 52
- Windscreens 53





STANDARD OPTION

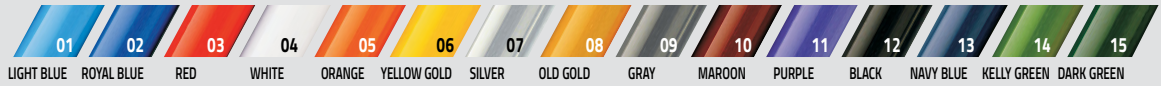


COLOR OPTION

COLOR OPTIONS AVAILABLE!

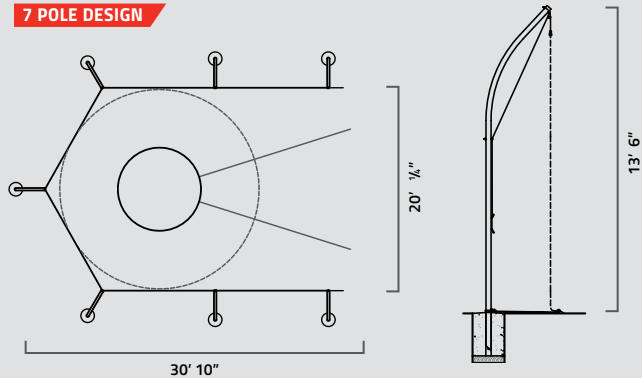
Transform Your Cages with Custom Powder Coat Options.

COLOR OPTIONS



To specify color with order, use the two-digit number of your color selection to replace XX in the item number.

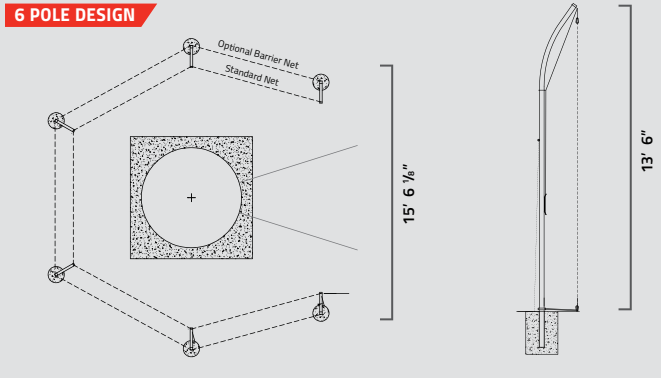
7 POLE DESIGN



HIGH SCHOOL ALUMINUM DISCUS CAGE

8010	6-Pole Cage	\$2899
8010CXX	6-Pole Cage with Custom Color	\$3599
M2055	Replacement Main Net	\$729
80102	Barrier Net	\$389
8020	7-Pole Cage	\$3229
8020CXX	7-Pole Cage with Custom Color	\$3999
80201A	Replacement Main Net	\$629
80202A	Barrier Net	\$519
8021	7-Pole Cage w/ Rear Door Access	\$4199
8021CXX	7-Pole Cage w/ Rear Door Access with Custom Color	\$4899
80211	Replacement Main Net	\$819
80212	Barrier Net w/ Rear Door Access	\$499

6 POLE DESIGN

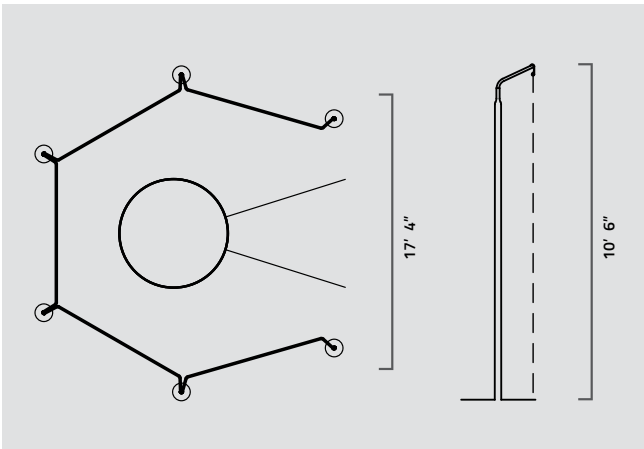


HIGH SCHOOL STEEL DISCUS CAGE

8030	6-Pole Cage	\$2699
M2055	Replacement Main Net	\$729
80302	Barrier Net	\$419

SPECIFICATIONS

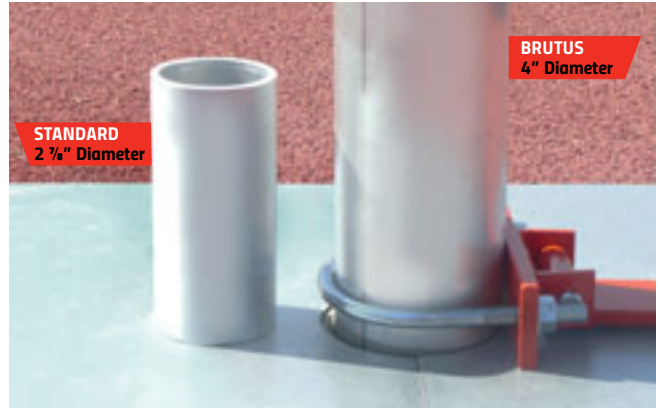
- Aluminum poles: 2 7/8" outside diameter 6063-T6 (Ultimate-30ksi, Yield-25ksi) with rolled offset for safety
- Steel poles: 2 1/2" square A513 (Ultimate-42ksi, Yield-30ksi) with rolled offset for safety
- Nets: 180 lb break strength
- Net height: 13' 6"
- Meets NFHS specifications



PRO-DOWN DISCUS CAGE

- Poles: (6) 2 3/8" outside diameter 12 gauge steel poles
- Net: Knotless weather treated nylon net with 180 lb break strength
- Net height: 10' 6"
- Five galvanized steel top rungs eliminate net sag
- **Meets NFHS specifications**

80401	Cage with Ground Sleeves	\$1699
80402	Cage with Plates	\$2699
80405	Replacement Net	\$1069



BRUTUS DISCUS CAGE

- For high wind areas that need extra strength discus cages
- Made of Hammer Cage strength 4" outside diameter .218" thick wall aluminum poles
- Products with CXX include Powder Coat option, use the two-digit number from the color chart on page 2 to replace the XX in the product number
- **Meets NFHS and NCAA specifications**

9010	6 Pole High School Cage	\$4299
9010CXX	6 Pole High School Cage with Custom Color	\$5119
9020	7 Pole High School Cage	\$4999
9020CXX	7 Pole High School Cage with Custom Color	\$5699
9021	7 Pole High School Cage w/ Rear Door Access	\$5299
9021CXX	7 Pole High School Cage w/ Rear Door Access with Custom Color	\$5999
732150	8 Pole NCAA Cage w/ Rear Door Access	\$8199
732150CXX	8 Pole NCAA Cage w/ Rear Door Access with Custom Color	\$8999



DISCUS SECTOR NET

- Effective at stopping shot or discus from rolling or skipping outside of the sector
- 2' tall by 60' long 320 lb break strength discus net
- Held by 3/4" diameter steel net poles and ground stakes
- Polyethylene net spools included for convenient storage and handling

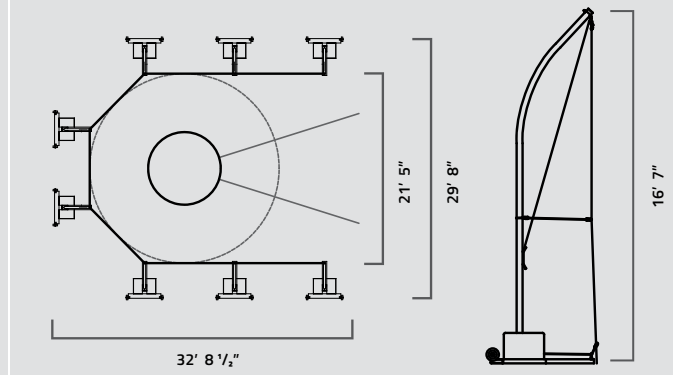
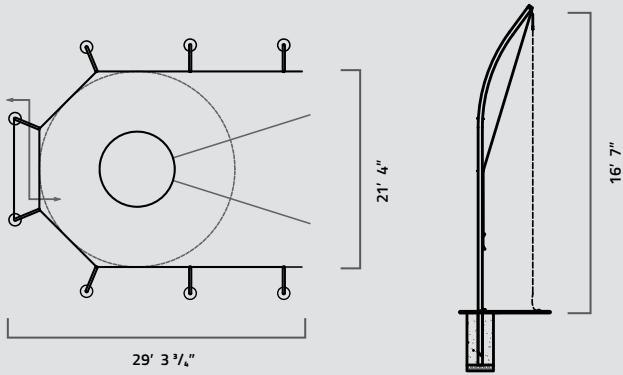
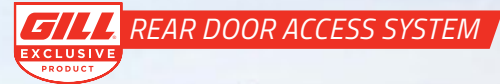
731135 Discus Sector Net \$359



WARNING SIGN

M2322 Replacement Sign \$10





NCAA ALUMINUM DISCUS CAGE

- Poles: (8) 6063-T6 aluminum net poles
- Net: Weather treated nylon 6 net with 340 lb break strength
- Rear door access net standard
- Net height: 16' 7"
- Rear net support tubes prevent net sag
- 18" hinged net arms secure net at all eight poles
- 36" deep ground sleeves
- **Meets NCAA specifications**

732130	Cage	\$5099
732130CXX	Cage with Custom Color	\$5999
732133	Replacement Main Net	\$1489
732132	Optional Barrier Net (8')	\$1149

NCAA PORTABLE DISCUS CAGE

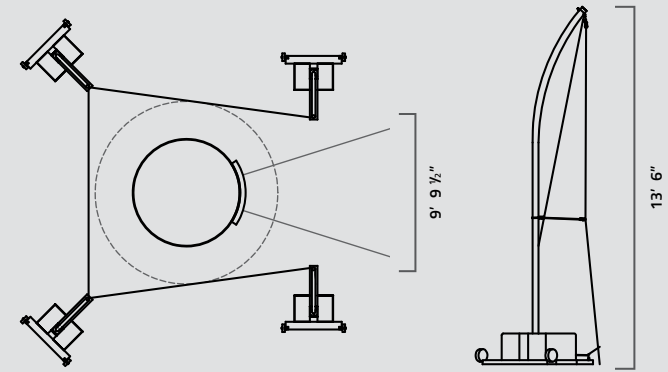
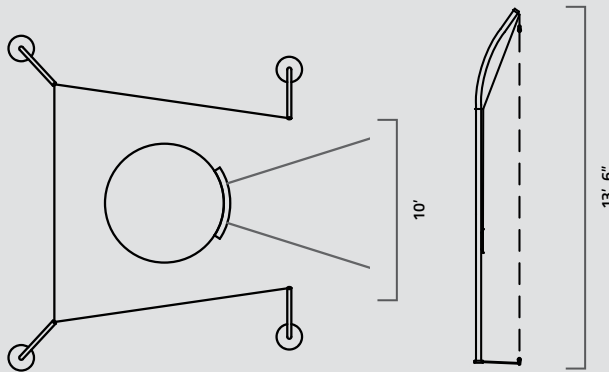
- Designed for set up and removal as needed
- Poles: (8) 2 1/2" outside diameter schedule 40 aluminum net poles
- Net: Weather treated nylon 6 net with 340 lb break strength
- Net height: 16' 7"
- Bases: A500 Grade B steel with wheels for transportability and weighted with 5 gallon jugs to be filled with sand or water
- **Meets NCAA specifications**

732230	Cage	\$9999
732230CXXYY	Cage with Custom Color	\$10999
732131A	Replacement Main Net	\$1119

DISCUS & SHOT CAGES



8050



SHOT CAGE

- Poles: (4) 6063-T6 aluminum or A513 steel
- Net: Weather treated nylon 6 net with 180 lb break strength
- Net height: 13' 6"
- 18" hinged net arms secure net at front two poles with ground stakes used at back poles
- 20" deep ground sleeves

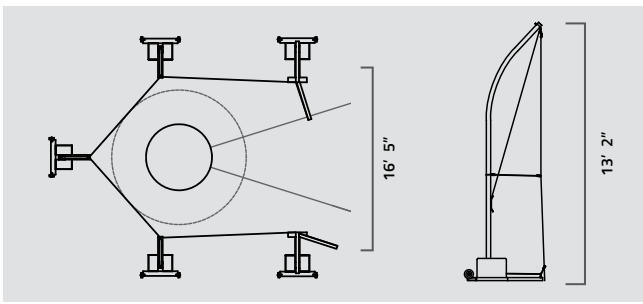
805	Steel Cage	\$2149
8050	Aluminum Cage	\$2599
8050CXX	Aluminum Cage with Custom Color	\$2849
M2054	Replacement Main Net	\$719

PORTABLE SHOT CAGE

- Designed for set up and removal as needed
- Poles: (4) 6063-T6 aluminum net poles
- Net: #42A knotless nylon netting with 180 lb break strength
- Net height: 13' 6"
- Bases: A500 Grade B steel with wheels for transportability and weighted with 5 gallon jugs to be filled with sand or water

732260	Cage	\$5699
732260CXXYY	Cage with Custom Color	\$6299
M2054	Replacement Main Net	\$719

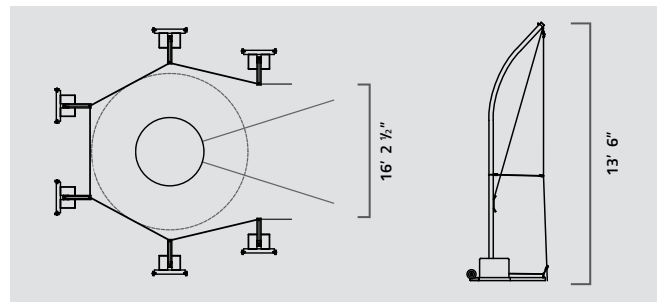




NCAA PORTABLE INDOOR CAGE

- Designed for set up and removal as needed
- Poles: (5) 6063-T6 aluminum net poles
- Net: #42A knotless nylon netting with 561 lb break strength
- Net height: 13' 2"
- Doors: repositionable with wired front design for longer life
- Bases: A500 Grade B steel with wheels for transportability and weighted with 5 gallon jugs to be filled with sand or water
- *Meets NCAA specifications*

732250	Cage	\$11199
732250CXXYY	Cage with Custom Color	\$12399
732251	Replacement Main Net	\$1769
731152	Replacement Door Net	\$249



HIGH SCHOOL PORTABLE DISCUS CAGE

- Designed for set up and removal as needed
- Poles: (6) 6063-T6 aluminum net poles
- Net: #504 knotless nylon netting with 180 lb break strength
- Net height: 13' 6"
- Bases: A500 Grade B steel with wheels for transportability and weighted with 5 gallon jugs to be filled with sand or water

732220	Cage	\$7299
732220CXXYY	Cage with Custom Color	\$8199
M2055	Replacement Main Net	\$729



TURF CHUTE POST

- Increase the safety of your throws landing zones
- 12 lb non-invasive chute posts are ideal for turf landing zones
- Perfect solution for indoor facilities

968	Turf Chute Post	\$50/ea
962	Chute Rope and Pennants (110')	\$27

IMPLEMENT STOP KIT

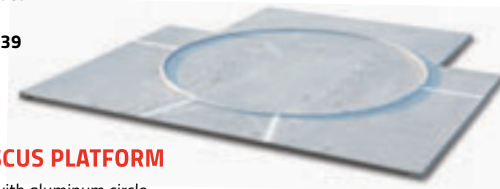
- Kit to build an implement stop barrier system; you provide lumber
- Stability brackets mount to 2" x 10" x 8' lumber and joined together with 3/8" snap hooks
- Kit includes hardware and instructions to build eight sections
- *Lumber not included*



867 \$739

PORTABLE DISCUS PLATFORM

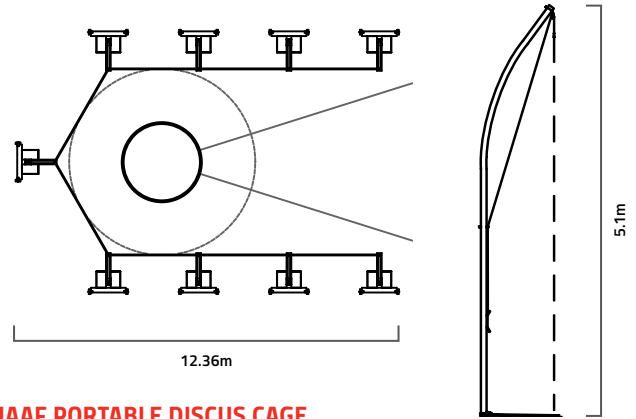
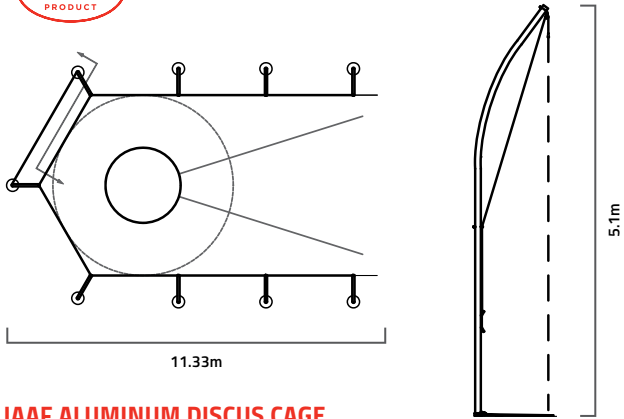
- Wood platform with aluminum circle
- Constructed of 1/2" marine grade plywood with pressure treated 2' x 5' and 2' x 6' lumber
- Platform breaks down into eight pieces for storage space of 8' x 4'
- Weighs in excess of 400 lb
- Gray marine coat finish



3710 Portable Discus Platform \$4899

DISCUS & HAMMER CAGES

GILL EXCLUSIVE PRODUCT REAR DOOR ACCESS SYSTEM



IAAF ALUMINUM DISCUS CAGE

- Poles: (9) 6063-T6 aluminum net poles
- Net: Weather treated nylon 6 net with 340 lb break strength
- Rear door access net standard
- Net height: 5.1m
- Rear net support tubes prevent net sag
- 18" hinged net arms secure net at all nine poles
- 36" deep ground sleeves
- IAAF certified

IAAF PORTABLE DISCUS CAGE

- Designed for set up and removal as needed
- Poles: (9) 6063-T6 aluminum net poles
- Net: Weather treated #42A knotless net with 340 lb break strength
- Net height: 5.1m
- Bases: A500 Grade B steel with wheels for transportability and weighted with 5 gallon jugs to be filled with sand or water
- IAAF certified

732140	Cage	IAAF	\$6029
732140CXX	Cage with Custom Color	IAAF	\$6999
732143	Replacement Main Net		\$1789
732142	Optional Barrier Net (8')		\$759

732240	Cage	IAAF	\$12999
732240CXXYY	Cage with Custom Color	IAAF	\$13999
732141A	Replacement Main Net		\$1339

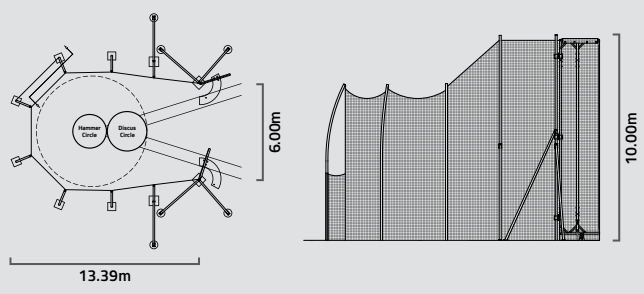
GILL EXCLUSIVE PRODUCT REAR DOOR ACCESS SYSTEM



IAAF TALL HAMMER/DISCUS CAGE

- Poles: (8) 6063-T6 aluminum net poles
- Doors: (2) Galvanized steel door hinge poles and 10m tall aluminum moveable doors
- Net: Weather treated nylon 6 net with 340.7kg break strength
- Rear door access net standard
- Main net: 23' 3.5"/7.1m, Door net: 32' 10"/10m
- Required Cage Pole Braces included
- 48" deep ground sleeves
- Ground sleeve kit sold separately for quick shipability
- IAAF certified

732215	Cage	IAAF	\$33999
73221501	Ground Sleeve Kit		\$2279
732216	Replacement Main Net		\$9399
732217	Replacement Door Net		\$2079
732218	Optional Barrier Net (8')		\$1679



732215

WHY BUY GILL HAMMER CAGES?

SAFETY, CONVENIENCE, & LONGEVITY!

Gill hammer cages have three exclusive features that increase safety and decrease liability. These features combined with an industry best five year cage warranty from Gill Athletics keeps your facility at the top of the class. Doesn't your facility deserve the best?

WIRED FRONT DOOR DESIGN

With a wired front door design your cage will look new for years to come. No more bent front pole from errant throws, and decrease the likelihood of bounce backs from implements.

DOOR HINGE LOCK BOLT

Suggested from the top track designer in America, this unique feature keeps your front doors from tweaking and misaligning from the door hatch location.

REAR DOOR ACCESS

Keep your athletes away from the danger zone of the front cage while increasing the speed of repetitions.

GILL 5 YEAR LIMITED WARRANTY

On all Cages. Call for Details.

CUSTOM COLOR OPTIONS AVAILABLE

Transform your cages with custom powder coat options. See page 2 for details.

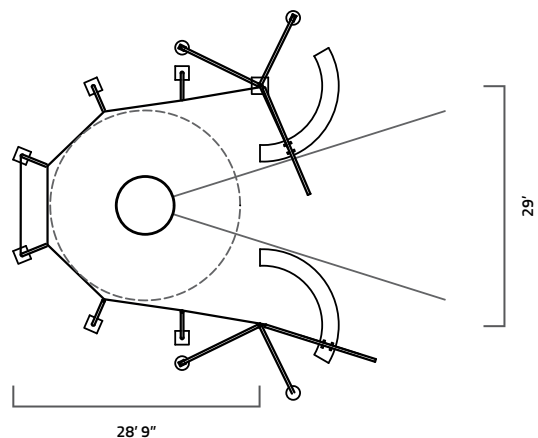
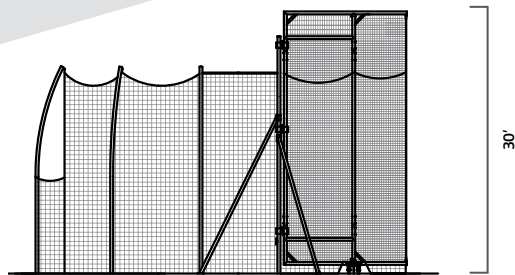
MAXIMUS™ HAMMER CAGE

- Meets NCAA specifications

732210	Cage	\$32099
732210CXXYY	Cage with Custom Color	\$33999
73221001	Ground Sleeve Kit	\$1719



REAR DOOR ACCESS SYSTEM



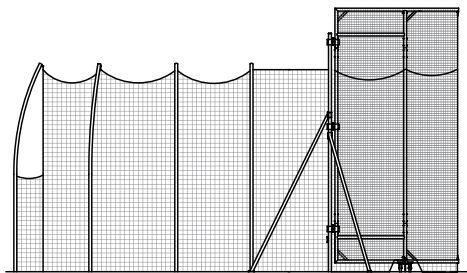
MAXIMUS CAGES



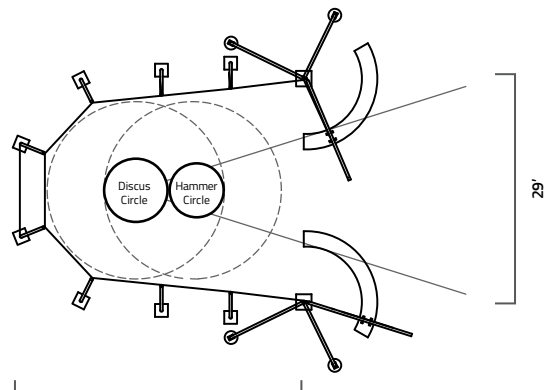
MAXIMUS™ DOUBLE RING HAMMER CAGE

- Meets NCAA specifications

732211	Cage	\$34999
732211CXXYY	Cage with Custom Color	\$34999
73221101	Ground Sleeve Kit	\$2119



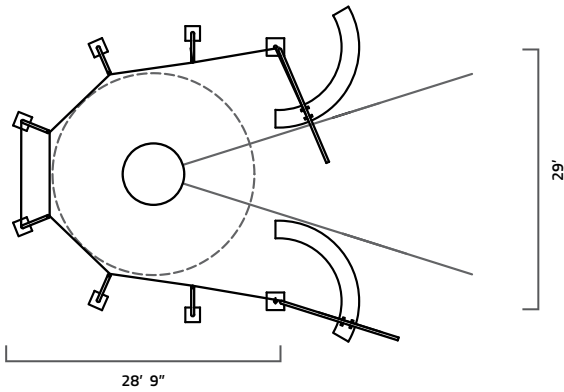
30'



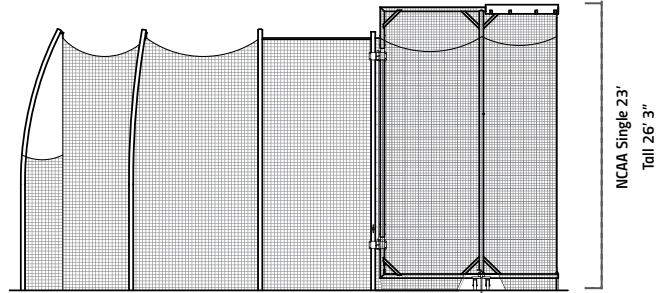
36' 7"



SINGLE RING CAGES



GILL EXCLUSIVE REAR DOOR ACCESS SYSTEM PRODUCT



NCAA HAMMER/DISCUS CAGE

- Single Ring Design for Discus Circle and Hammer Conversion Circle
- Poles: (6) 6063-T6 aluminum net poles
- Doors: (2) Galvanized steel door hinge poles and 7m tall aluminum moveable doors
- Net: Weather treated nylon 6 net with 749 lb break strength
- Rear door access net standard
- Main net: 20' 6\"/>

NCAA TALL HAMMER/DISCUS CAGE

- Single Ring Design for Discus Circle and Hammer Conversion Circle
- Poles: (6) 6063-T6 aluminum net poles
- Doors: (2) Galvanized steel door hinge poles and 7m tall aluminum moveable doors
- Net: Weather treated nylon 6 net with 749 lb break strength
- Rear door access net standard
- Required cage door bracing included
- Main net: 23' 7m, Door net: 26' 3\"/>

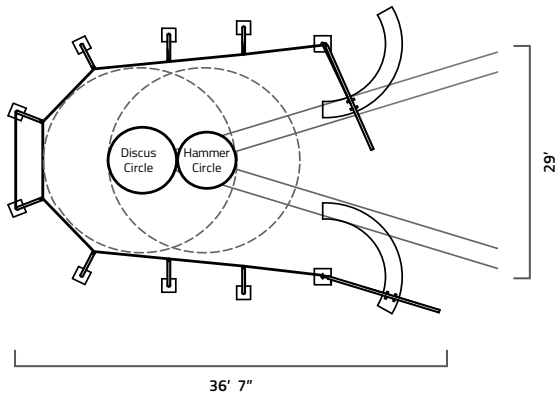
732100	Cage	\$25999
732100CXXYY	Cage with Custom Color	\$29999
73210001	Ground Sleeve Kit	\$1729
732101	Replacement Main Net	\$7309
732102	Replacement Door Net	\$2269
732103	Optional Barrier Net (8')	\$799
732104	Hammer Cage Door Bracing	\$1999

732200	Tall Cage	\$28999
732200CXXYY	Tall Cage with Custom Color	\$29999
73220001	Ground Sleeve Kit	\$1769
732201	Replacement Main Net	\$7559
732202	Replacement Door Net	\$2499
732103	Optional Barrier Net (8')	\$799

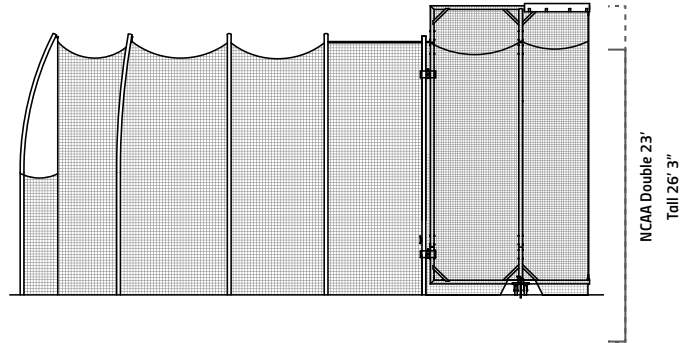


DOUBLE RING CAGES

NCAA HAMMER CAGES



GILL EXCLUSIVE PRODUCT REAR DOOR ACCESS SYSTEM



NCAA DOUBLE RING HAMMER/DISCUS CAGE

- Double Ring Design for Discus and Hammer Circle
- Poles: (8) 6063-T6 aluminum net poles
- Doors: (2) Galvanized steel door hinge poles and 7m tall aluminum moveable doors
- Net: Weather treated nylon 6 net with 749 lb break strength
- Rear door access net standard
- Main net: 20' 6"/6.25m, Door net: 23'/7m
- 40" deep ground sleeves
- Ground sleeve kit sold separately for quick shipability
- **Meets NCAA specifications**

732105	Cage	\$28099
732105CXXYY	Cage with Custom Color	\$29999
73210501	Ground Sleeve Kit	\$2129
732106	Replacement Main Net	\$8739
732102	Replacement Door Net	\$2269
732108	Optional Barrier Net (8')	\$879
732104	Hammer Cage Door Bracing	\$1999

NCAA TALL DOUBLE RING HAMMER/DISCUS CAGE

- Double Ring Design for Discus and Hammer Circle
- Poles: (8) 6063-T6 aluminum net poles
- Doors: (2) Galvanized steel door hinge poles and 7m tall aluminum moveable doors
- Net: Weather treated nylon 6 net with 749 lb break strength
- Rear door access net standard
- Required cage door bracing included
- Main net: 23'/7m, Door net: 26' 3"/8m
- 48" deep ground sleeves
- Ground sleeve kit sold separately for quick shipability
- **Meets NCAA specifications**

732205	Tall Cage	\$29999
732205CXXYY	Tall Cage with Custom Color	\$30999
73220501	Ground Sleeve Kit	\$2219
732206	Replacement Main Net	\$7479
732202	Replacement Door Net	\$2499
732108	Optional Barrier Net (8')	\$879



OUTDOOR THROWING NET

- **Throw, Throw, Throw!**
- Get the maximum number of reps with the minimal amount of retrieval
- Provides the perfect set up for working on throwing technique for shot put, discus and javelin (weighted balls)
- Bottom of main net has a pocket to catch implements before they hit the ground, preventing damage and making retrieval easier
- Side nets offer additional errant throw protection
- Poles: 4" diameter, 1/8" wall, T6 aluminum tube in 40" deep ground sleeves
- Nets are 749 lb test weather treated knotted nylon
- Main net is 20' x 20'

731300 \$2599

HAMMER CAGE PADDING

- For use at front half of top horizontal member of cage door
- Provides damage protection and minimizes hammer rebound
- Vinyl encased high density foam with hook and loop attachment
- Use the two-digit number of your vinyl color selection (Page 26) to replace the XX in the item number
- **All Gill hammer cages include two pads**

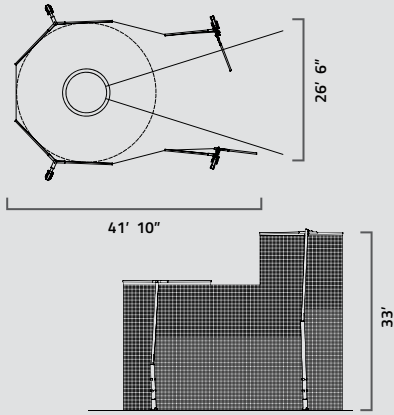
731109CXX Hammer Cage Padding \$349/ea

LOOKING FOR A HAMMER CONVERSION CIRCLE?

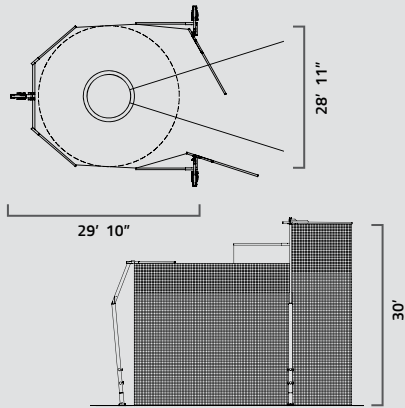
See Page 14.



THOR 10 CAGE



THOR 9 CAGE



THOR HAMMER & DISCUS CAGES

- Nets can remain erected longer for great usability for athlete training 24/7
- Cyclone 2/Hurricane 1 wind rating
- Greater visibility of the athlete for viewing public and media
- Fewer implement strikes with the superstructure skeleton positioned away from the netting

THOR 10 HAMMER/DISCUS CAGE

- Poles: (4) Combination of steel and aluminum to withstand up to 60mph winds
- Doors: (2) 9m x 3m swing arm doors
- Net: 1 3/4" square mesh woven poly cord with 771 lb break strength
- Main net height: 23'7m, Door net height: 32' 10"/9m
- Net is secured by net rails across entire cage and 14 rope anchors
- 60" deep ground sleeves
- **IAAF Certified**

732310 Thor 10 Hammer/Discus Cage 

\$35999

THOR 9 HAMMER/DISCUS CAGE

- Poles: (3) Combination of steel and aluminum to withstand up to 60mph winds
- Doors: (2) 10m x 2m swing arm doors
- Net: 1 3/4" square mesh woven poly cord with 771 lb break strength
- Main net height: 23'7m, Door net height: 29' 6"/10m
- Net is secured by net rails across entire cage and 14 rope anchors
- 60" deep ground sleeves
- **IAAF Certified**

732309 Thor 9 Hammer/Discus Cage 


\$31999



APOLLO DISCUS CAGE

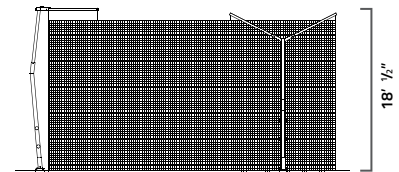
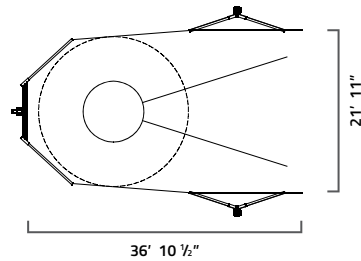
APOLLO DISCUS CAGE

- Poles: (3) Combination of steel and aluminum to withstand up to 62mph winds
- Net: 1 3/4" square mesh woven poly cord with 352 lb break strength
- Net height: 18'
- Net is secured by 14 hanging points and 8 rope anchors
- 36" deep ground sleeves
- IAAF Certified

732301 Apollo Discus Cage 

\$9999

APOLLO CAGE



SUPPORTING THE WORLD'S BEST THROWS



ALUMINUM CIRCLES

- Four sections of 1" x 3/4" extruded aluminum angle
- Designed to be cast into concrete
- Discus circle can also be mounted to surface
- Compatible with toeboards 358, 363
- **Meets NFHS, NCAA and IAAF specifications**

369	Shot/Hammer Circle	\$209
370	Discus Circle	\$219



ALUMINUM CIRCLES WITH 2" ANGLE PROFILE

- Two sections of 2" x 2" extruded aluminum angle
- Designed to be cast into concrete
- Compatible with toeboards 358, 363
- **Meets NFHS, NCAA and IAAF specifications**

374	Shot/Hammer Circle	\$479
374C04	Shot/Hammer Circle; White	\$509
375	Discus Circle	\$499
375C04	Discus Circle; White	\$539



PROFILE FOR
369, 370 & 372



PROFILE FOR
371 & 373



PROFILE FOR
374 & 375



364 with 373



ALUMINUM SHOT CIRCLE

- Three sections of 1" x 3/4" extruded aluminum angle
- Designed to be mounted on top of concrete surface
- Anchor bolts included
- Compatible with toeboards 359, 364
- **Meets NFHS specifications**

372	Aluminum Shot Circle	\$199
-----	----------------------	-------



POWDER COATED STEEL DISCUS CIRCLE

- Three sections of 1/4" x 1 1/2" flat powder coated steel
- Designed to be mounted on top of concrete surface
- Anchor bolts included
- **Meets NFHS specifications**

371	Powder Coated Steel Discus Circle	\$269
-----	-----------------------------------	-------



POWDER COATED STEEL SHOT CIRCLE

- Four sections of 1/4" x 1 1/2" flat powder coated steel
- Designed to be mounted on top of concrete surface
- Anchor bolts included
- Compatible with toeboards 359, 364
- **Meets NFHS specifications**

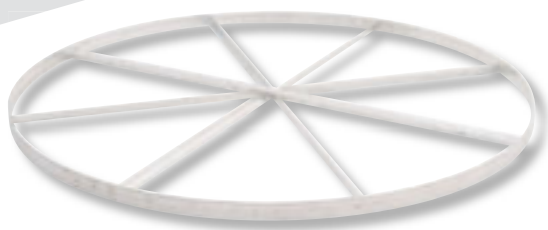
373	Powder Coated Steel Shot Circle	\$239
-----	---------------------------------	-------



HAMMER CONVERSION CIRCLE

- Converts a discus ring into a hammer ring
- Four piece: blue PVC material
- Six piece: white recycled plastic with interlocking sections
- **Meets NFHS, NCAA and IAAF specifications, IAAF certified**

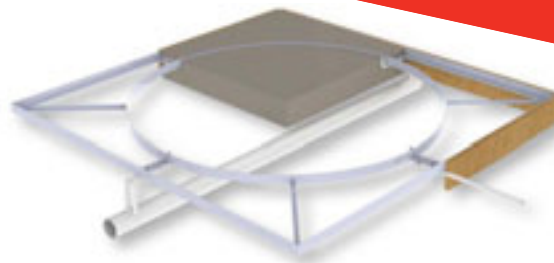
362	4 Piece System	IAAF	\$929
3621	6 Piece System	IAAF	\$799



ALUMINUM CIRCLES WITH CROSS BRACING

- Two sections of 1/4" x 3" extruded aluminum with welded bracing
- Bolt together to maintain form during in-ground installation
- Hardware included
- Compatible with toeboards 358, 363
- *Meets NFHS, NCAA and IAAF specifications, IAAF certified*

366	Shot/Hammer Circle		\$629
366C04	Shot/Hammer Circle; White		\$679
367	Discus Circle		\$639
367C04	Discus Circle; White		\$689



ALUMINUM CIRCLE FORMS

- Four sections of 2" x 3" aluminum angle
- Bolt together form for in-ground installation
- Aluminum exterior bracing creates a strong frame
- Center open for smooth concrete pour and crack-resistant finish
- Inner circle is 1/4" x 3" flat aluminum bar
- Compatible with toeboards 358, 363
- *Meets NFHS, NCAA and IAAF specifications*

3741	Shot/Hammer Circle Form	\$2249
3751	Discus Circle Form	\$2669



SYNTHETIC SHOT TOEBOARD FOR DEPRESSED PAD

- Molded low density polyethylene designed for 3/4" depressed surface
- Compatible with circles 366, 369, 374, 3741
- *Meets NFHS, NCAA and IAAF specifications*

358 \$319

SYNTHETIC SHOT TOEBOARD FOR LEVEL PAD

- Molded low density polyethylene designed for surface mount shot circles
- Compatible with circles 372, 373
- *Meets NFHS specifications*

359 \$319



ALUMINUM SHOT TOEBOARD FOR DEPRESSED PAD

- Cast aluminum designed for a 3/4" depressed surface
- Compatible with circles 366, 369, 374, 3741
- *Meets NFHS, NCAA and IAAF specifications, IAAF certified*

363 \$499

ALUMINUM SHOT TOEBOARD FOR LEVEL PAD

- Cast aluminum designed for surface mount shot circles
- Compatible with circles 372, 373
- *Meets NFHS specifications*

364 \$499



SYNTHETIC PLUGS

- Keeps debris and standing water out of throwing circles
- Constructed of 3/4" thick rubber and made to fit snug inside depressed circles
- Plugs come in sections for easier handling

37001	Shot Circle Plug	\$419
37002	Discus Circle Plug	\$709



INDOOR SHOT/WEIGHT THROW CIRCLE

- Constructed of 3/4" plywood with steel hinges and handles
- Foldaway handles for easy handling and storage
- Laminated weather proofed marine plywood toeboard (sold separately)
- Optional three piece 3/4" 7-ply birch plywood throwing surface (sold separately, not shown)
- *Meets NFHS, NCAA and IAAF specifications*

368	Indoor Shot/Weight Throw Circle	\$969
3680	Wood Shot Toeboard for Indoor Circle	\$459
3681	Shot Throwing Surface	\$369



FUNCTIONAL-FORM SAND PIT & CATCHER SYSTEMS

Sand pit forms hold more than just sand, they hold value. With four different options of Sand Catcher locations and two practical Sand Catcher Cover options, you can design the horizontal jump facility that will perfectly meet your needs.

Choose from one of four sand catcher locations: no sides, two sides, two sides and back, or all four sides. Choosing Sand Catchers on the sides will cut unnecessary costs and eliminate potential trip hazards, providing more than ample storage space for overflow sand.

Choose from one of two Sand Catcher Cover systems: traditional grate and mat or Gill (exclusive) Recessed Lid. When you consider the main function of a Sand Catcher system is not to catch sand but to store it, the Recessed Lid system is rapidly becoming the choice of facilities worldwide, as it is designed to receive track surfacing to match your track facility. When coupled with the 730148 Aluminum Sand Pit Cover, a complete logical design emerges for your world class jumps facility.

No matter which combination you choose; with the Gill Functional-Form, you can rest assured that you have chosen the finest product (with the easiest installation) available.

FORM WITH RECESSED CATCHERS

CATCHERS ON 4 SIDES	F46225	25'	\$18509
	F46228	28'	\$20069
	F46231	31'	\$20799
CATCHERS ON 3 SIDES	F46124	24'	\$15389
	F46127	27'	\$16119
	F46130	30'	\$17989
CATCHERS ON 2 SIDES	F46023	23'	\$12899
	F46026	26'	\$14769
	F46029	29'	\$15909



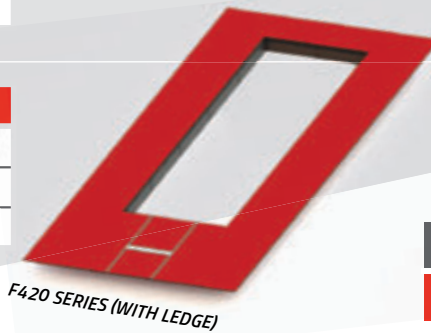
FORM WITH GRATE & MAT CATCHERS

CATCHERS ON 4 SIDES	F44225	25'	\$17679
	F44228	28'	\$19759
	F44231	31'	\$20389
CATCHERS ON 3 SIDES	F44124	24'	\$14689
	F44127	27'	\$15389
	F44130	30'	\$17059
CATCHERS ON 2 SIDES	F44023	23'	\$11649
	F44026	26'	\$12999
	F44029	29'	\$13519



FORM WITHOUT CATCHERS

WITH LEDGE	F42023	23'	\$5099
	F42026	26'	\$5619
	F42029	29'	\$5829



ALL FORMS ARE 9' 8" WIDE

FAST INSTALLATIONS

READY-FIT ALUMINUM SAND PIT COVERS

F44023C	23' Cover	\$7319	F44026C	26' Cover	\$8279	F44029C	29' Cover	\$9229
F44124C	24' Cover	\$7649	F44127C	27' Cover	\$8609	F44130C	30' Cover	\$9559
F44225C	25' Cover	\$7949	F44228C	28' Cover	\$8899	F44231C	31' Cover	\$9959



493680

COLOR OPTIONS



ADDITIONAL COVER COLORS AVAILABLE!
Nominal 10% upcharge. Call for Details. (Gray is standard.)

BALLASTED LJ/TJ SAND PIT COVERS

- Exclusive Vipol Matrix mesh material or solid vinyl polyester
- Anchoring system: Vinyl wrapped galvanized steel chain perimeter
- Ballasted pit covers are custom sized and sold by the square foot (no returns)
- Dimension certification form must be submitted with order

493680	Mesh Vinyl	\$3.99/sq ft
493682	Solid Vinyl	\$3.49/sq ft

LJ/TJ SAND PIT COVERS

- Keep your sand pit clean and dry with solid vinyl sand pit covers or choose mesh if rain is not an issue
- Constructed of vinyl coated woven polyester
- Anchoring system: Bags filled with sand placed in pouches to weigh cover down
- Optional 5' x 5' multi-color graphic available
- Graphic worksheet and vector artwork must be provided

730147	Mesh 11' 9" x 25' 6"	\$989
730147L	Mesh 11' 9" x 31' 6"	\$1199
730147V	Vinyl 11' 9" x 25' 6"	\$1039
730147VL	Vinyl 11' 9" x 31' 6"	\$1399
9453	Graphic Option	\$699



TRADITIONAL GRATE & MAT SAND CATCHER COVER SYSTEM

- Combination of 1" x 1/8" galvanized steel bar grating and perforated rubber overlay
- Creates strong combination for stamping off sand yet light enough for easy handling
- Standard unit measures 18" x 36" x 1 5/8" and requires a ledge around perimeter to rest on
- For perfect fit, installer may make one or more field cuts
- Sold per 18" x 36" sections only

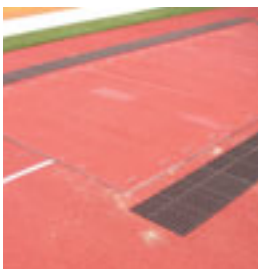
730149	Mesh 11' 9" x 25' 6"	\$165/section
--------	----------------------	---------------



RECESSED SAND CATCHER COVER SYSTEM

- Recessed cover design for 1/2" (12mm) track surface
- Constructed of 1/8" aluminum sheet metal
- Standard unit measures 18" x 36" and requires a ledge around perimeter to rest on
- Special lengths available between 18" and 35" long

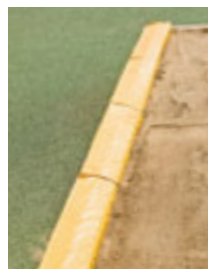
73015036	Mesh 11' 9" x 25' 6"	\$159/section
----------	----------------------	---------------



LJ/TJ ALUMINUM SAND PIT COVER

- Each panel made from 9.5" x 1.75" x .125" aluminum planking framed with 2 3/8" x 1 1/2" x 3/16" aluminum angle
- Panels have four flush mount handles
- Recessed design for 1/2" (12mm) track surface

730148	\$34/sq ft
--------	------------



PERIMETER PADDING SYSTEM

- Greatly reduce possibility of injury caused by impact with sand pit edging
- Modular pads install on any sand pit quickly and conveniently
- Critical location of pads is along sides of sand pit
- Each pad is 36" long

730	\$82
-----	------



ALUMINUM VAULT BOX

- Welded aluminum construction
- Reinforced backstop for prolonged life
- Once installed you will never have to remove it
- *Meets NFHS, NCAA and IAAF specifications, IAAF certified*

502  \$489



ALUMINUM VAULT BOX LID

- Compatible with all Gill vault boxes
- Reinforced with two 1/2" angled vertical supports to prevent sagging
- 50201: Recessed design for 1/2" (12mm) track surface
- 50202: Flush design with no added track surface

50201	Lid-Recessed Mount	\$429
50202	Lid-Flush Mount	\$459

STEEL VAULT BOX

- Twelve gauge steel with fold and weld construction
- Flanged edges and flared sides for secure installation
- Finished with durable white powder coat
- *Meets NFHS, NCAA and IAAF specifications, IAAF certified*

500  \$359



UNIVERSAL VAULT BOX LID

- Compatible with all Gill vault boxes
- Constructed of 11 gauge hot rolled steel
- Features anti-slip designed surface
- Finished with durable white powder coat

503 \$309



STAINLESS STEEL VAULT BOX AND LID

- Box: Stainless steel alloy fold and weld construction for corrosion resistance
- Lid: 12 gauge 304 stainless steel plate with 2 angled vertical supports to prevent sag
- Lid: Recessed design for 1/2" (12mm) track surface
- Lid intended for use with stainless steel vault box for best corrosion resistance
- *Meets NFHS and NCAA specifications*

504	Vault Box	\$759
50401	Vault Box Lid	\$549



CAST ALUMINUM VAULT BOX

- 100% cast aluminum construction with a wall thickness of 3/16"
- Standard durable white powder coat finish; Orange powder coat option available
- Inside corners rounded for unhindered pole rotation
- Guaranteed against cracking or warping
- *Meets NFHS, NCAA and IAAF specifications, IAAF certified*

505	White 	\$799
505C05	Orange 	\$869

SOFTER IS SAFER

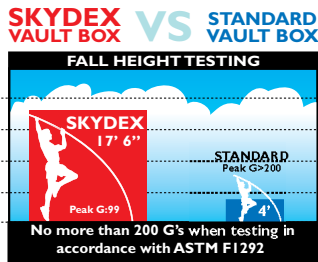
SKYDEX™ SOFT VAULT BOX



VAULT BOXES



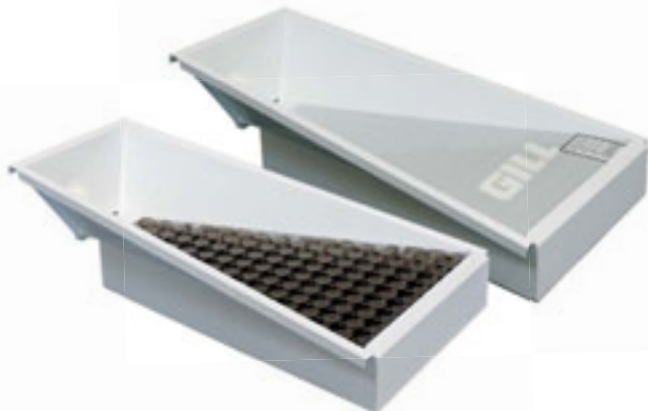
PATENTED SKYDEX MATERIAL



SKYDEX™ SOFT VAULT BOX

- Exclusive Skydex designed vault box represents quantum leap forward in pole vault safety
- Patented Skydex material greatly increases safety with no effect on vaulter experience
- Enhanced safety with integrated Skydex Smarter Cushioning technology in design of vault box
- Tests show fall of 17' 6" into Skydex box would equal 4' fall in standard vault box
- Redesigned for easier installation
- *Meets NFHS, NCAA and IAAF specifications, IAAF certified*

507	Vault Box	\$2999
50701	Vault Box Lid - Flush	\$649



SAFETYMAX™ VAULT BOX

- Tray is made of 12 gauge steel with box bottom utilizing Skydex Smarter Cushioning technology
- Thermoformed white HMWPE 1/8" sheet on top of Skydex material
- Enhances safety of pole vault event with no effect on vaulter experience
- When combined with 719 SafetyMax+ Vault Box Collar creates the safest vault facility
- *Meets NFHS, NCAA and IAAF specifications*

50810	SafetyMax Vault Box	\$1369
-------	---------------------	--------



GILL SPORTS CONSTRUCTION



SAVE MONEY WITH VALUEPACKS!

VALUEPACK - SURFACE MOUNT

Package includes:

- F500 Steeplechase Water Jump Form
- 740144 Steeplechase Water Jump Barrier-surface mount version

VPF500 Valuepack **\$7739**

FUNCTIONAL-FORM STEEPLECHASE WATER JUMP SYSTEMS

Gill Athletics has greatly simplified the installation of steeplechase water jump reservoirs with these Functional-Form systems. With the Functional-Form, installation precision is ensured to meet NFHS, NCAA and IAAF specifications. Structure is fabricated of specially folded 1/8" aluminum to maximize strength and includes designed inner wall supports that allow the concrete to flow through and set evenly.

- F500: Compatible with 740144 water jump barrier
- F510: Compatible with 740134 water jump barrier
- Both models compatible with 730146 aluminum water jump cover
- Both models come standard with valve option: installed front wall valve to be connected with an outgoing pipe to the drain source
- *Meets NFHS, NCAA and IAAF specifications*

F500 Surface Mount Form **\$5509**

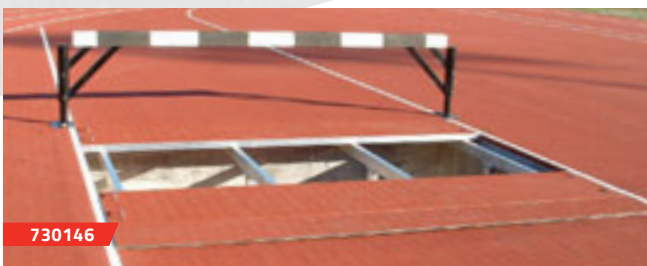
F510 Ground Sleeve Form **\$5509**

VALUEPACK - GROUND SLEEVE

Package includes:

- F510 Steeplechase Water Jump Form with integrated ground sleeves
- 740134 Steeplechase Water Jump Barrier-ground sleeve version

VPF510 Valuepack **\$7399**



730146

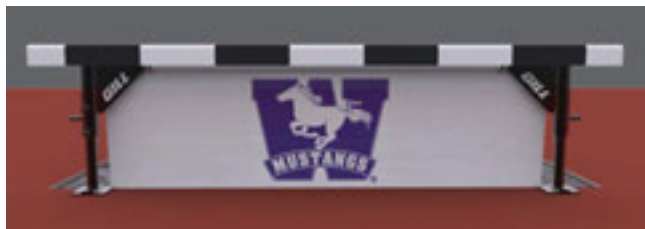
WATER JUMP COVERS

- Each panel made from 9.5" x 1.75" x .125" aluminum planking framed with heavy duty aluminum angle
- Panels have four flush mount handles
- Recessed design for 1/2" (12mm) track surface
- Understructure supported with 4" x 2" aluminum beams

730146 Water Jump Cover **\$7699**



740134 Shown with 740145212



STEEPLECHASE WATER JUMP BARRIERS

- Barrier beam is 4" x 4" square steel tubing with synthetic track material
- Pull pin design makes barrier height change a snap
- Welded gusset adds needed strength support to the beam
- Adjustable to three heights: 30", 33", 36"
- Aluminum water jump barrier seal available
- *Meets NFHS, NCAA and IAAF specifications*
- *Surface mount barrier is IAAF certified*

740134 Water Jump Barrier w/ Ground Sleeves **\$2119**

740144 Water Jump Barrier w/ Surface Mount **\$2469**

730145B Aluminum Water Jump Barrier Seal **\$589**

MESH WATER JUMP BARRIER SEALS

- Add color and design to your steeplechase water jump
- Lightweight design will ease water barrier height change

740145202 Royal Blue **\$299**

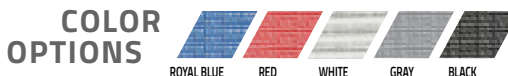
740145203 Red **\$299**

740145204 White **\$299**

740145209 Gray **\$299**

740145212 Black **\$299**

740145204SP White Mesh with Graphics **\$499**





STEEPLECHASE BARRIER WITH DROP DOWN WHEELS

- Barrier beam is 4" x 4" square steel tubing with synthetic track material
- Wheels easily set and retract with a finger lever and lift on each end
- Drop down wheels make this the most maneuverable barrier on the market
- Pull pin design makes barrier height change a snap
- Welded gusset adds needed strength support to the beam
- Adjustable to three heights: 30", 33", 36"
- Meets NFHS, NCAA and IAAF specifications, IAAF certified



740135	1 x 5m Barriers, 3 x 4m (4)		\$11729/set
740135131	4m Barrier; 13' Width		\$2959/ea
740135161	5m Barrier; 16' 5" Width		\$3229/ea

STEEPLECHASE BARRIER

- Barrier beam is 4" x 4" square steel tubing with synthetic track material
- Pull pin design makes barrier height change a snap
- Welded gusset adds needed strength support to the beam
- Adjustable to three heights: 30", 33", 36"
- Optional wheel kit for manual addition of wheels for transportation
- Meets NFHS, NCAA and IAAF specifications, IAAF certified

GILL 5 YEAR LIMITED WARRANTY
 On all Steeplechase Barriers. Call for Details.



740140	1 x 5m Barriers, 3 x 4m (4)		\$8369/set
740140131	4m Barrier; 13' Width		\$2089/ea
740140161	5m Barrier; 16' 5" Width		\$2359/ea
74014050	Wheels (4)		\$209/set

6' TRAINING BARRIER

740140061	6' Training Steeplechase Barrier		\$1669
740135061	6' Training Barrier w/Drop Down Wheels		\$2779

STEEPLECHASE LANE GATE

- Harness the power of a Track Lane Gate and the functionality of a Steeplechase Barrier
- Steeplechase Barrier is ground sleeve or surface mounted to inside of track curbing
- Swing out for steeplechase running event, swing in for easy removal and storage
- Use as a Track Lane Gate to lengthen the life of lanes 1-4 on your track

740142	Ground Sleeve		\$8939
740141	Surface Mount		\$9239



GET READY FOR TAKE-OFF WITH QUALITY GILL BOARDS





4350S

TAKE-OFF BOARD SYSTEMS

With the Gill Adjustable Take-Off Board Systems you get ease of installation, ease of use and dependable peak performance.

Gill Take-Off Board systems are the easiest and fastest boards to install in the market. **Complete system** comes with installation tray, adjustable folded aluminum base, reversible long lasting take-off board and foul board, and functional blanking lid ready to accept track surfacing.

- 8" take-off board and 4" foul board creates 12" system
- Exclusive easy-adjust leveling system for both horizontal and vertical axis
- Synthetic for longer lifespan
- Synthetic boards made of Polyboard®, an environmentally friendly, waterproof material that will not split or crack while offering jumpers great grip
- **Meets NFHS, NCAA and IAAF specifications**

4350S	Complete NCAA System	\$859
4351S	Complete IAAF System 	\$889
P435007	Replacement 4" NCAA Foul Board	\$52
P435107	Replacement 4" IAAF Foul Board 	\$82
P435005	Replacement 8" Adjustable Take-Off Board	\$139
P435205	Replacement 12" Adjustable Take-Off Board	\$129
4352S	12" Take-Off Board and Tray	\$409
P435008	Replacement Folded Aluminum Base	\$309
435021	Replacement 12" Blanking Board Assembly	\$459
P435015	Replacement 12" Installation Tray	\$173
439	1 lb Plasticine Brick — Yellow	\$6.49

STANDARD TAKE-OFF BOARD SYSTEMS

- 8" take-off board system
- Complete system: Installation tray, aluminum leveling board and reversible take-off board
- Synthetic for longer lifespan
- Synthetic boards made of Polyboard®, an environmentally friendly, waterproof material that will not split or crack while offering jumpers great grip
- Blanking lid sold separately
- **Meets NFHS and NCAA specifications**

444S	Complete College System	\$399
44420	Blanking Lid	\$104
44405	Replacement Take-Off Board	\$139
P44402	Replacement Leveling Base Board	\$207
443	Replacement Installation Tray	\$349



444S



INTERNATIONAL TRACK CURBING

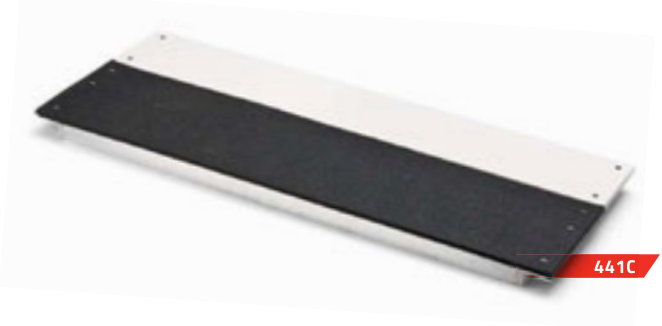
- Heavy gauge aluminum design features upscale fluted dome-shaped top
- Curbing sections are notched at one end to allow easy drop in or removal of section
- Curbing supported by 1/2" tall ribbed feet for unencumbered drainage
- Optional pin kit available to keep curbing from shifting on track
- Permanent installation includes two anchor pins for every 20' section
- Meets NFHS, NCAA and IAAF specifications, IAAF certified

NON-PERMANENT INSTALLATION CURBING

851A	Plain		\$9.29/ln ft
852A	Anodized		\$14/ln ft
852P	Powder Coated		\$12/ln ft
851P	Base Pins (12)		\$165/set

PERMANENT INSTALLATION CURBING

853A	Plain		\$9.79/ln ft
854A	Anodized		\$14/ln ft
854P	Powder Coated		\$14/ln ft



EXTRA WIDE TAKE-OFF BOARD SYSTEM

- 19 1/2" take-off board system
- Complete System: Installation tray, aluminum base board, and reversible take-off board
- Synthetic for longer lifespan
- Synthetic boards made of Polyboard®, an environmental friendly, waterproof material that will not split or crack while offering jumpers great grip
- Meets NFHS specifications

441TS	Complete HS System	\$449
44105	Replacement 19 1/2" Take-Off Board	\$199

CONVERSION BOARD

- Convert a Gill 19 1/2" take-off board system to an 8" system
- Includes 8" synthetic take-off board, black vultrak, and baseboard

441C Conversion Board \$290



ALUMINUM GOALS

MULTIPLE MOUNTING OPTIONS & SIZES

ALUMINUM FOOTBALL GOAL POSTS

- Available in high school, collegiate, or pro sizes
- 6 5/8" Gooseneck and crossbar with 4" diameter uprights
- 8' Gooseneck allows a soccer goal to fit beneath the crossbar
- Durable powder coat finish available in white or optic yellow
- Ground sleeves and mounting plates are sold separately
- Pole padding sold separately, see page 26

REDESIGNED!

- Easier to install; no more drilling in the field
- New cleaner look

HIGH SCHOOL GOALS (23' 4" BETWEEN UPRIGHTS)

Ground Sleeve Installation:

F390C18	6' Gooseneck, 20' Uprights, Optic Yellow	\$8469/pr
F390C04	6' Gooseneck, 20' Uprights, White	\$8469/pr
F391C18	6' Gooseneck, 30' Uprights, Optic Yellow	\$8949/pr
F391C04	6' Gooseneck, 30' Uprights, White	\$8949/pr
F305C18	8' Gooseneck, 20' Uprights, Optic Yellow	\$8429/pr
F305C04	8' Gooseneck, 20' Uprights, White	\$8429/pr
F308C18	8' Gooseneck, 30' Uprights, Optic Yellow	\$8949/pr
F308C04	8' Gooseneck, 30' Uprights, White	\$8949/pr

Plate Mount Installation:

F362C18	8' Gooseneck, 20' Uprights, Optic Yellow	\$10739/pr
F362C04	8' Gooseneck, 20' Uprights, White	\$10739/pr

COLLEGIATE/PRO GOALS (18' 6" BETWEEN UPRIGHTS)

Ground Sleeve Installation:

F392C18	6' Gooseneck, 20' Uprights, Optic Yellow	\$7819/pr
F392C04	6' Gooseneck, 20' Uprights, White	\$7819/pr
F393C18	6' Gooseneck, 30' Uprights, Optic Yellow	\$8639/pr
F39304C	6' Gooseneck, 30' Uprights, White	\$8639/pr
F315C18	8' Gooseneck, 20' Uprights, Optic Yellow	\$7929/pr
F315C04	8' Gooseneck, 20' Uprights, White	\$7929/pr
F325C18	8' Gooseneck, 30' Uprights, Optic Yellow	\$8859/pr
F325C04	8' Gooseneck, 30' Uprights, White	\$8859/pr

Plate Mount Installation:

F366C18	8' Gooseneck, 20' Uprights, Optic Yellow	\$10039/pr
F366C04	8' Gooseneck, 20' Uprights, White	\$10039/pr
F367C18	8' Gooseneck, 30' Uprights, Optic Yellow	\$10679/pr
F367C04	8' Gooseneck, 30' Uprights, White	\$10679/pr



SOLD SEPARATELY

F39901	Ground Sleeve	\$260/ea
F35550	Mounting Plate	\$609/ea

STEEL GOALS

GROUND SLEEVE & PLATE MOUNT

STEEL FOOTBALL GOAL POSTS

- 6' Gooseneck goals are all steel and constructed of 5 3/16" diameter gooseneck, 5" diameter crossbar and 2 1/2" diameter uprights
- 8' Gooseneck goals constructed of 4 1/2" diameter steel gooseneck, 3 1/2" Diameter steel crossbar and 2 3/8" diameter aluminum uprights
- 8' Gooseneck allows a soccer goal to fit beneath the crossbar
- Durable powder coat finish available in white or optic yellow
- Ground sleeves and mounting plates are sold separately
- Pole padding sold separately, see page 26
- Meets high school specifications, 20' uprights 23' 4" width

Ground Sleeve Installation:

0296036C18	6' Gooseneck, Optic Yellow	\$7299/pr
0296036C04	6' Gooseneck, White	\$7299/pr
F335C18	8' Gooseneck, Optic Yellow	\$6589/pr
F335C04	8' Gooseneck, White	\$6589/pr

Plate Mount Installation:

0296136C18	6' Gooseneck, Optic Yellow	\$7879/pr
0296136C04	6' Gooseneck, White	\$7879/pr
F356C18	8' Gooseneck, Optic Yellow	\$6899/pr
F356C04	8' Gooseneck, White	\$6899/pr

SOLD SEPARATELY

F39902	0296036CXX Ground Sleeve	\$195/ea
F39903	F335 Ground Sleeve	\$130/ea
FITG00177	0296136CXX Mounting Plate	\$183/ea
F35550	F356 Mounting Plate	\$609/ea



ALUMINUM & STEEL FOOTBALL GOALS

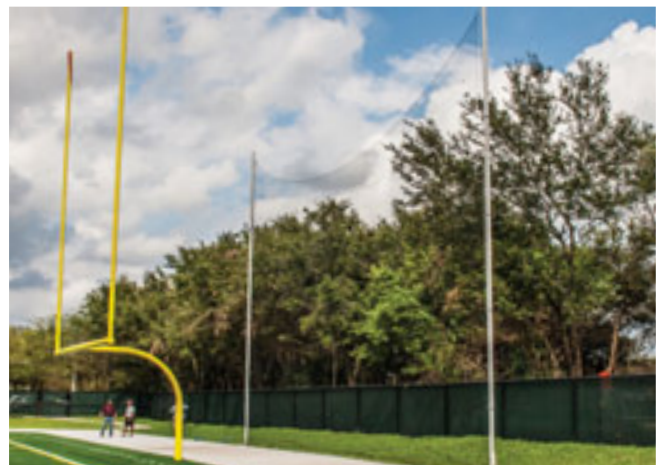
FOOTBALL STOPPER SET

This football stopper set is designed to keep fans and bystanders safe from field goals and extra points. Installed behind each football goal, the 35' x 50' net can be raised and lowered with ease during a game or stationary during practice. *Set includes two stoppers (1 for each goal).*

F350	Pair of Football Stoppers	\$7499
-------------	---------------------------	---------------

NEED HELP ORDERING?

We are on your team! | 1.800.637.3090





FITS 3 1/2" - 5 1/2" POLE DIAMETERS

Lace-Up Pads: 1 1/2" thick polyurethane foam pad is 6' tall and fits 3 1/2"-4 1/2" pole diameters. 15 oz. vinyl 5' 10" x 12" cover available in 14 colors; specify color with order. Lace closure.

000690XX	6' Lace-Up Pad	\$244
000690XXSP	6' Lace-Up Pad with Graphics	\$289
068	Vinyl Lace Cover	\$113

FITS 4 1/2" - 5 9/16" POLE DIAMETERS

Deluxe Pad: 4" thick polyurethane foam pad is 6' tall and fits 4 1/2" - 5 9/16" pole diameters. 15 oz vinyl cover available in 14 colors. Hook and loop closure. Graphics available with new pad.

001870XX	6' Pad, Hook-And-Loop Closure	\$429
001870XXSP	6' Pad with Graphics	\$489

FITS 6" - 8" POLE DIAMETERS

Gooseneck Pad: 6" thick polyurethane padding covered in tough 15 oz vinyl available in 14 colors (specify color when ordering). Already have the pad? Choose the F299XX custom graphic wrap which is printed on a separate vinyl full-size sheet that covers the F302 pad for a whole new look.

F302XX	Pair of 6' Gooseneck Pads, Hook-And-Loop Closure	\$1119
F302XXSP	Pair of 6' Gooseneck Pads with Graphics	\$1219
F299XX	Graphic Vinyl Wrap (Covers 1 Existing Pad)	\$329

COLOR OPTIONS

01	02	03	04	05	06	08	09	10	11	12	13	14	15
LIGHT BLUE	ROYAL BLUE	RED	WHITE	ORANGE	YELLOW GOLD	TAN	GRAY	MAROON	PURPLE	BLACK	NAVY BLUE	KELLY GREEN	DARK GREEN

To specify color with order, use the two-digit number of your vinyl color selection to replace XX in the item number.

SPECIALTY GOALS

RUGBY & COMBINATION GOALS

FOOTBALL PADDING & SPECIALTY GOALS



STEEL H-STYLE FOOTBALL/RUGBY GOAL

- Uprights and crossbar constructed of 3 1/2" steel tube
- Durable white powder coat finish
- Optic yellow finish also available- Call for details

RUGBY/COLLEGIATE/PRO GOALS (18' 6" BETWEEN UPRIGHTS)

281181C04	<i>Pair of Goals, 10' Uprights; White</i>	\$3249
281182C04	<i>Pair of Goals, 20' Uprights; White</i>	\$4019

HIGH SCHOOL GOALS (23' 4" BETWEEN UPRIGHTS)

281231C04	<i>Pair of Goals, 10' Uprights; White</i>	\$3249
281231C04	<i>Pair of Goals, 20' Uprights; White</i>	\$4019

COMBINATION FOOTBALL/SOCCER GOALS

Football uprights can be secured at 23' 4" or 18' 6" widths or removed for soccer play. Constructed of 4" x 2" steel tube with 2" square steel tube uprights that extend 10' above crossbar. Soccer nets/backstays sold separately. Soccer goal is 8' x 24' x 8'.

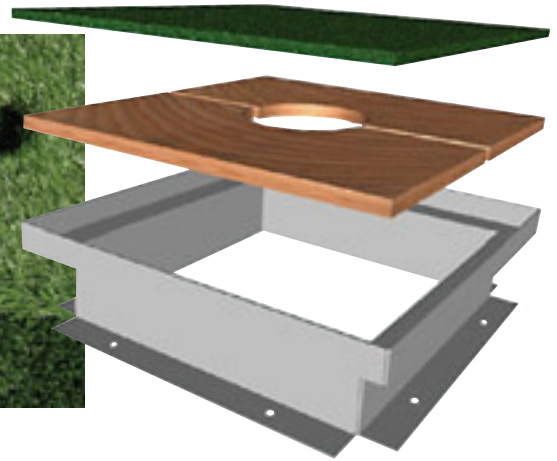
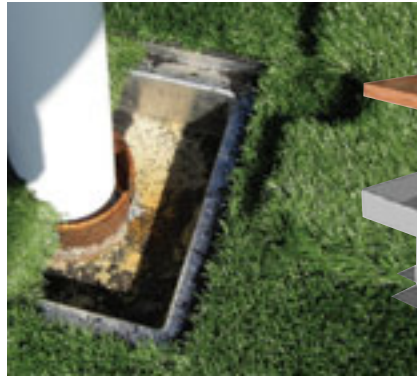
- Maximize use of practice fields
- Meets high school specifications for football/soccer
- Durable powder coat finish

00274000	<i>Combination Goal</i>	\$1999
-----------------	-------------------------	---------------

SOLD SEPARATELY

00424000	<i>(1) Ground Sleeve (Required)</i>	\$128
00490824	<i>Pair of Nets, No Backstay</i>	\$186
00491824	<i>Pair of Nets, For Use With Backstay</i>	\$232
00291000	<i>Set of 4, Standard Backstays</i>	\$849
292300	<i>Set of 4 European Backstays</i>	\$375





SOCCER GOAL ANCHOR SYSTEM

Latches around the base of the football goal gooseneck and is connected to the rear spreader bar of the soccer goal. Insure against the possibility of soccer goal tip over.

F100 Pair of Anchors **\$287**

SOCCER GOAL ANCHOR SYSTEM

This kit provides easy access to the base of a football goal which allows for easy installation, adjustment, or removal. The access frame creates a uniform, seamless surface around the goal post for improved safety. Kit includes access frame and pole plugs that fit around a goal post with a diameter up to 6 3/8". For safety, a solid plug is strongly recommended for use when the goal post is removed. Each goal post requires one kit. Blank metal allows track surface application for continuity in D-Zones.

F304	Access Kit-Turf Covered	\$409
F3045	Access Kit-Blank Metal	\$147
F30410	Access Frame Only	\$255
F3042	Pole Plugs-Turf Covered	\$150
F3043	Pole Plugs-Blank Wood	\$175

F3044	Pole Plugs-Blank Metal	\$118
F3045	Sold Plugs-Turf Covered	\$147
F3046	Sold Plugs-Blank Wood	\$61
F3047	Sold Plugs-Blank Metal	\$118



FOOTBALL PYLONS

- Set Of 4 Pylons For Marking The End Zone
- Bottom Weighted Markers That Require No Additional Hardware To Install
- Meets NCAA And NFHS Rules

296801 Set of 4, Bottom Weighted **\$51**



CROSSOVER ZONE®

For everyday use, the Crossover zone is lighter and easier to handle than other conveyor belt rubber systems. Protects against steel tipped cleats, shoes and even grounds equipment wheels, yet rain drains through. Black geotextile with gold edging for safety and durability.

493663	15' x 30' Zone	\$1129
493664	15' x 40' Zone	\$1249
493651	15' x 75' Zone	\$1399
493652	15' x 100' Zone	\$1599
493653	15' x 125' Zone	\$1799

493667	7.5' x 30' Zone	\$949
493668	7.5' x 40' Zone	\$1049



261100

LACROSSE GOALS

Portable goals are made of 1- 7/8" aluminum round tubing and snap together for quick assembly. Stationary goals feature front uprights and crossbar constructed of 1- 7/8" OD heavy wall steel tubing which secures into 18" concrete footings or can be used with optional 401000 PVC ground sleeves for seasonal removal.

- Includes heavy-duty regulation nets
- Official orange powder coat finish
- Choose portable or stationary version

261100	Pair of Portable Goals	\$1629
262100	Pair of Stationary Goals	\$849

SOLD SEPARATELY

401000	1 Ground Sleeve (2 Required Per Stationary Goal)	\$62/ea
--------	--	---------



260100

260101

COMPETITION FIELD HOCKEY GOAL

- Includes weather treated 1 1/2" square nets (#21 nylon)
- White powder coat finish
- Official 18" bottom boards
- 7' x 12' x 4' goal
- 2" square heavy-wall structural steel construction

260100	Pair of 7' x 12' x 4' Competition Field Hockey Goals	\$2029
--------	--	--------

SOLD SEPARATELY TRANSPORT SYSTEM

Includes two pneumatic tires and support bracket assemblies. Attaches to back of a single field hockey goal so user can tip and roll the goal on and off the field.

260101	Transport System (Fits 1 Goal)	\$263/ea
--------	--------------------------------	----------



6' X 6' PORTABLE LACROSSE GOALS

- Includes UV-resistant white net
- 1 1/2" bright orange powder coated aluminum frame
- Easy to assemble, lightweight
- Folds flat for storage

54514	Single 6' x 6' Lacrosse Goal	\$169
-------	------------------------------	-------



FUTSAL GOAL

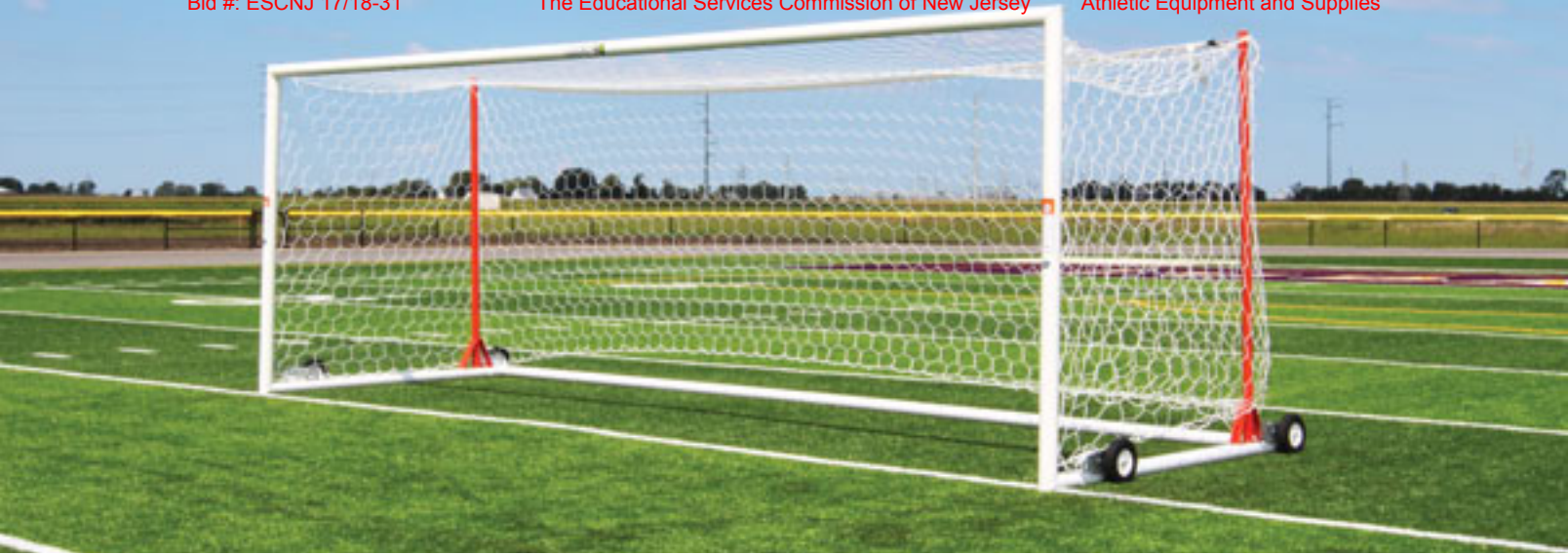
- Includes 4mm white net and easy to engage wheels
- 3" round aluminum
- Powder coated finish
- Portable, 6' 7" x 9' 10"



54515	Pair of 6' 7" x 9' 10" Practice Futsal Goals	\$969
-------	--	-------

5451501	Replacement Net	\$43
---------	-----------------	------





U90 PORTABLE WORLD CUP GOAL

Get the classic styling of the World Cup Goal anywhere with this portable model.

- 4" Round aluminum construction
- Goals nest under 8' football goal posts
- Custom powder coated back posts
- Meets FIFA, NFHS and NCAA specifications

SAVE MONEY WITH PACKAGES!

8' x 24' WORLD CUP PORTABLE GOAL PACKAGE

- 8' x 24' goals (pr)
- Hexagon nets white (pr)
- Four easy-to-engage wheel assemblies
- Auger anchor kit / Secures around back bar tubing to prevent tipping
- Back bar with weights / Helps prevent unintentional tip-over

493000CXX 8' x 24' World Cup Portable Goal Package **\$6489**



COLOR OPTIONS



To specify color with order, use the two-digit number of your color selection to replace XX in the item number.

U90 WORLD CUP SOCCER GOAL



upper90[®]



GILL SPORTS CONSTRUCTION

NJ State Approved Co-op #65MCECCPS

Metuchen/Garden State Apparel

Bid Term: 5/9/18 - 5/8/20



upper90[™]

U90 STATIONARY WORLD CUP GOAL

8' x 24' U90 WORLD CUP GOAL

- 4" Round aluminum construction
- Choose package or pair of goals
- Compatible with 3 net styles
- Meets FIFA, NFHS and NCAA specifications

485200 8' x 24' Goals (pr) **\$2079**

SAVE MONEY WITH PACKAGES!

WORLD CUP PACKAGE

- 8' x 24' goals (pr)
- Hexagon nets (pr)
- Ground sleeves (4)
- Back post net supports (4)
- Back post ground sleeves (4)
- Net tie down stakes [16]

492200 World Cup Package **\$3879**

SOLD SEPARATELY

NET CHOICES

00492824	3mm x 5" Square Braid Nets, White	\$269/pr
49282401	6mm x 5" Hexagon Nets, White	\$379/pr
49282405	3mm x 5" Square Twist Nets, Orange	\$223/pr

ACCESSORIES

00422040	Set of 4 Back Post Net Supports	\$639
00402000	Back Post Ground Sleeves	\$120/ea
00404000	Goal Ground Sleeves	\$123/ea



upper90[™]

U90 WORLD CUP & PREMIER SOCCER GOALS

U90 PREMIER GOAL

- Portable goal with 4" round aluminum construction
- Signature Upper90® lift and roll wheels
- European backstays
- Variety of net styles available

SAVE MONEY WITH PACKAGES!

8' x 24' GOALS PACKAGE

- Goals (pr) / white powder coat finish
- 3mm x 5" square braid net, white (pr)
- Quick clip net system
- Four easy-to-engage wheel assemblies
- Auger anchor kit / Secures around back bar tubing to prevent tipping
- Back bar with weights / Helps prevent unintentional tip-over

587200 8' x 24' World Cup Package **\$6199**

SAVE MONEY WITH PACKAGES!

6' 6" x 18' 6" GOALS PACKAGE

- Goals (pr) / white powder coat finish
- 3mm x 5" square braid net, white (pr)
- Quick clip net system
- Four easy-to-engage wheel assemblies
- Auger anchor kit / Secures around back bar tubing to prevent tipping
- Back bar with weights / Helps prevent unintentional tip-over

587203 6' 6" x 18' 6" World Cup Package **\$5679**

SAVE MONEY WITH PACKAGES!

8' x 24' NESTING GOALS PACKAGE

- 7' depth nests under football goals
- Goals (pr) / white powder coat finish
- 3mm x 5" square braid net, white (pr)
- Quick clip net system
- Four easy-to-engage wheel assemblies
- Auger anchor kit / Secures around back bar tubing to prevent tipping
- Back bar with weights / Helps prevent unintentional tip-over

587202 8' x 24' World Cup Nesting Package **\$6119**

SOLD SEPARATELY

49182401 3mm x 5" Square Twist Nets, White **\$187/pr**

49182405 3mm x 5" Square Twist Nets, Orange **\$187/pr**





487200

8' x 24' U90 CHAMPIONSHIP CUP GOAL

- Portable design, optional transport wheel kit
- 4" round aluminum construction
- Pair of goals
- Auger anchor kit / Secures around back bar tubing to prevent tipping
- Rear spreader tube kit / Provides additional rigidity during transportation
- Available with 3 net styles
- *Meets FIFA, NFHS and NCAA specifications*

487200 8' x 24' Goals (pr) **\$3409**

SAVE MONEY WITH PACKAGES!

CHAMPIONSHIP PACKAGE

- 8' x 24' goals (pr)
- Nets (pr)
- Transport kit (pr)
- Auger anchor kit / Secures around back bar tubing to prevent tipping
- Rear spreader tube kit / Provides additional rigidity during transportation

48713 Championship Package **\$4199**

SOLD SEPARATELY

00491824	3mm x 5" Square Braid Nets, White	\$232/pr
49182401	3mm x 5" Square Twist Nets, White	\$187/pr
49182405	3mm x 5" Square Twist Nets, Orange	\$187/pr
00293000	Transport Kit	\$479





287200

ALUMINUM ESSENTIALS GOAL

- Portable
- Unpainted 3" round aluminum construction
- Bolt together design
- Pair of goals
- Includes nets (1 pair)
- Auger anchor kit / Secures around back bar tubing to prevent tipping
- Rear spreader tube kit / Provides additional rigidity during transportation
- Available with 3 net styles
- **8' x 24' Meets NFHS and NCAA specifications**

287206	8' x 24' Goals (pr)	\$2693
287208	6' 6" x 18' 6" Goals (pr)	\$2151
287211	4' x 6' Goals (pr)	\$910

WHITE POWDER COATED ESSENTIALS GOAL

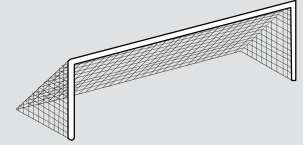
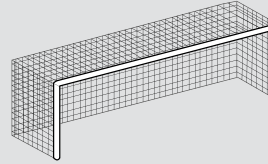
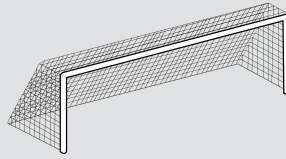
- Portable
- Powder coated 3" round aluminum construction
- Bolt together design
- Pair of goals
- Includes nets (1 pair)
- Auger anchor kit / Secures around back bar tubing to prevent tipping
- Rear spreader tube kit / Provides additional rigidity during transportation
- Available with 3 net styles
- **8' x 24' Meets NFHS and NCAA specifications**

287200	8' x 24' Goals (pr)	\$3200
287202	6' 6" x 18' 6" Goals (pr)	\$2600
287205	4' x 6' Goals (pr)	\$1300



NETS

SOLD IN PAIRS



GOAL TYPE	WITH BACKSTAYS			WITH BACK POSTS			NO NET SUPPORT	
NETTING								
	3MM x 5" White Square Nylon Twisted	3MM x 5" Orange Square Nylon Twisted	3MM x 5" White Square Nylon Braided	3MM x 5" Orange Square Nylon Twisted	3MM x 5" White Square Nylon Braided	6MM x 5" White Hexagon Nylon Braided	3MM x 5" White Square Nylon Twisted	3MM x 5" White Square Nylon Braided
4' x 6' x 6'								4906040 \$97
6' 6" x 18' 6" x 5'							4906185 \$115	
6' 6" x 18' x 6' 6"								4906618 \$130
8' x 24' x 6' 6"				49282405 \$223	00492824 \$269	49282401 \$379		
8' x 24' x 8'	49182401 \$187	49182405 \$187	00491824 \$232					00490824 \$186

H x W x D



BUNGEE NET TENSIONERS

- Set of 25 fit one goal
- Elastic material with plastic knot cover

54402 Set of 25 Bungees \$33



REPLACEMENT NET ATTACHMENT CLIP

- Replacement clips fit any porter aluminum goal
- Safe and simple clips slide into a continuous slot

484050 Set of 50 Net Clips \$55



VELCRO® NET FASTENER

- Reusable 2-sided Velcro roll (15' L x 1" W)
- One roll fits one net to an 8' x 24' goal

4715 Double-Sided Roll \$21



8" SOCCER NET TIE-DOWN STAKES

- Heavy formed steel construction
- Zinc-plated material minimizes corrosion
- Not to be used as goal anchors

00418080 Set of 8 Stakes \$15



BACK POST NET SUPPORT

- For Use with stationary goals
- Ground sleeve required
- Back post is 2 3/8" OD steel with pulley

00422040	Set of 4 Back Posts	\$639
00402000	Ground Sleeve (1)	\$120



EUROPEAN BACKSTAYS

Backstays are 3' deep and fit any Upper90® 8' x 24' aluminum stationary goals, hardware included.

292300	Set of 4 Backstays	\$375
--------	--------------------	-------



REAR SPREADER TUBE KITS

Ø1 1/8" tube attaches to backstay for additional rigidity. Optional Internal weight bars insert into spreader tubes for ballast (17 lb each).

41224G	Fits 24' Goals (pair)	\$349
41218G	Fits 18' Goals (pair)	\$309
41212G	Fits 12' Goals (pair)	\$244
00413040	Internal Weight Bars (4)	\$200



ANCHOR BAG

Designed to anchor a soccer goal on any surface. Add your own sand and place them on the base frame of the goal. Place Anchor Bags in the back corners, to provide the most counter-balance.

54401	1 Anchor Bag	\$56
-------	--------------	------



TRANSPORT KIT

Includes two 12" diameter pneumatic wheels to easily roll any of our portable soccer goals.

00293000	1 Kit (2 Wheels)	\$479
----------	------------------	-------



UPRIGHT PADS

Round wrap around lace up pad for round soccer goals. Square pad fits 4" x 2" post. Hook and loop closure.

000690XX	One Round Pad	\$244
004692	Pair of Square Pads	\$539





AUGER ANCHOR KIT

Auger-type goal anchor kit is required on existing portable soccer goals for maximum player safety. Wraps around backstay tubing and through auger to prevent tipping.

00298170 Set of 4 Anchors \$124



SOCCER GOAL ANCHORING SYSTEM

Latches around base of football goal gooseneck and connects to the rear spreader bar of goal. Simple system guards against soccer goal tip over.

F155 Pair of Anchors \$287



GROUND SLEEVE ANCHOR

A ground sleeve option for securing portable goals in turf fields. Featuring a small 4 1/2" footprint and a flexible top that compresses with surrounding turf on impact. Chain link wraps anchor pin inside ground sleeve and rear spreader tube on surface to secure goal in place. Padlocks included. Cap may be covered with turf for uniform appearance.

00406 1 Anchor \$197



SEASONAL (SEMI-PERMANENT) ANCHOR SYSTEM

Install aluminum tube anchors in concrete and bolt goal to anchor through the backstay tube. Seasonal/semi-permanent kit includes 8 anchors for securing 2 soccer goals.

00417040 Set of 4 Anchors \$207
00417080 Set of 8 Anchors \$409



OUTDOOR GROUND SLEEVES

In-ground/sleeve style soccer goals are the best choice for providing maximum safety! *Sold individually.*

401000 Fits 2 3/8" Back Posts \$62
00402000 Fits 2 3/8" Back Posts \$120
00404000 Fits 4" Round Goals \$123
404570 4" Round Sleeve Cover (4 pack) \$227
00424000 Fits 4" x 2" Goals \$128

REPLACEMENT WARNING LABELS

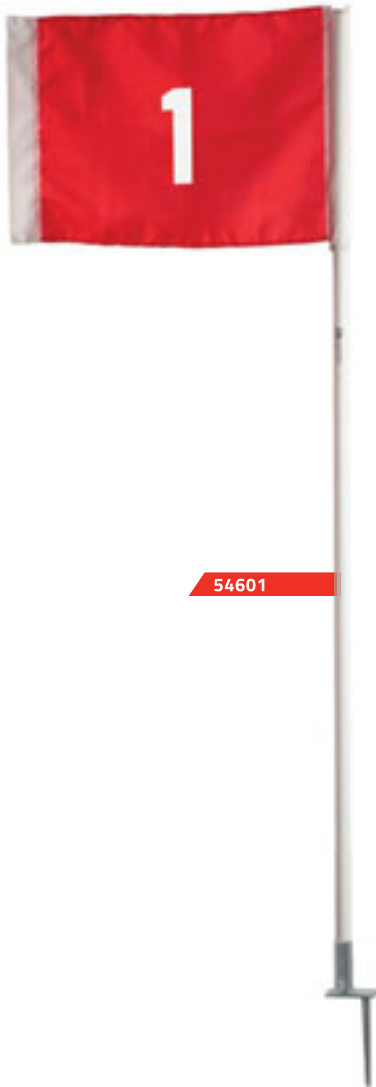
LABL00552000 Portable

LABL00553000 Stationary

FREE UPON REQUEST



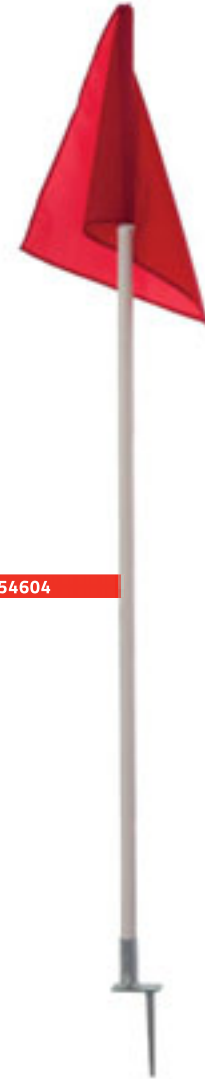
SAFETY ANCHORS & CORNER FLAGS



54601



54603



54604

5' FIELD FLAGS

- Steel peg, set of 8
- Numbered 1-8
- 1" PVC support tube

54601 \$84

5' BASE CORNER FLAGS

- 7" rubber base
- Set of 4
- 1" PVC support tube

54603 \$169

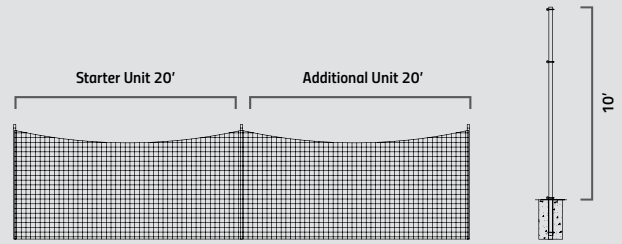
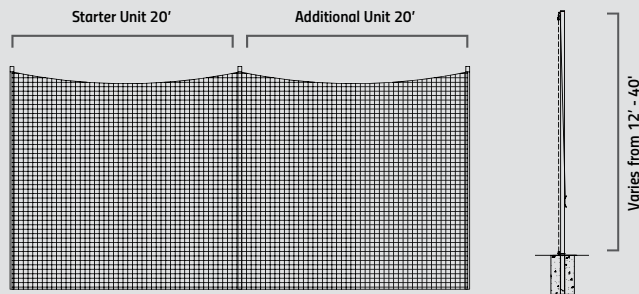
5' PEG CORNER FLAGS

- Steel peg
- Set of 4
- 1" PVC support tube

54604 \$73



GILL SPORTS CONSTRUCTION



12' - 40' TALL BALLSTOP SYSTEMS

- 12', 15', and 20' use 4" diameter, 1/8" wall aluminum tube - #504 knotless netting
- 25' and 30' use 6" Sch 40 aluminum tube - #36 knotted netting
- 35' and 40' use 6" Sch 40 steel tube - #36 knotted netting
- All poles 12'-40' have a vertical support cable for additional net support
- Ground sleeves included
- **All poles are now powder coated in architectural black – Other colors available for an additional 5%**

739012	12' Ball Stop; Straight Pole Starter (20' x 12')	\$1369
739012A	12' Ball Stop; Straight Pole Add-On (20' x 12')	\$819
739015	15' Ball Stop; Straight Pole Starter (20' x 15')	\$1469
739015A	15' Ball Stop; Straight Pole Add-On (20' x 15')	\$879
739020	20' Ball Stop; Straight Pole Starter (20' x 20')	\$1629
739020A	20' Ball Stop; Straight Pole Add-On (20' x 20')	\$999
739120	20' Ball Stop; Offset Pole Starter (20' x 20')	\$1709
739120A	20' Ball Stop; Offset Pole Add-On (20' x 20')	\$1039
739025	25' Ball Stop; Straight Pole Starter (20' x 25')	\$4159
739025A	25' Ball Stop; Straight Pole Add-On (20' x 25')	\$2409
739030	30' Ball Stop; Straight Pole Starter (20' x 30')	\$4579
739030A	30' Ball Stop; Straight Pole Add-On (20' x 30')	\$2669
739035	35' Ball Stop; Straight Pole Starter (20' x 35')	\$4549
739035A	35' Ball Stop; Straight Pole Add-On (20' x 35')	\$2679
739040	40' Ball Stop; Straight Pole Starter (20' x 40')	\$5179
739040A	40' Ball Stop; Straight Pole Add-On (20' x 40')	\$3059

SOLD SEPARATELY

73119021	Ground sleeve cap for 12'-20'	\$50/ea
73119022	Ground sleeve cap for 25'-40'	\$50/ea

10' TALL BALLSTOP SYSTEMS

The 10' Tall Ballstop Systems were designed to be set up and removed as needed and are available as above ground or in ground installation.

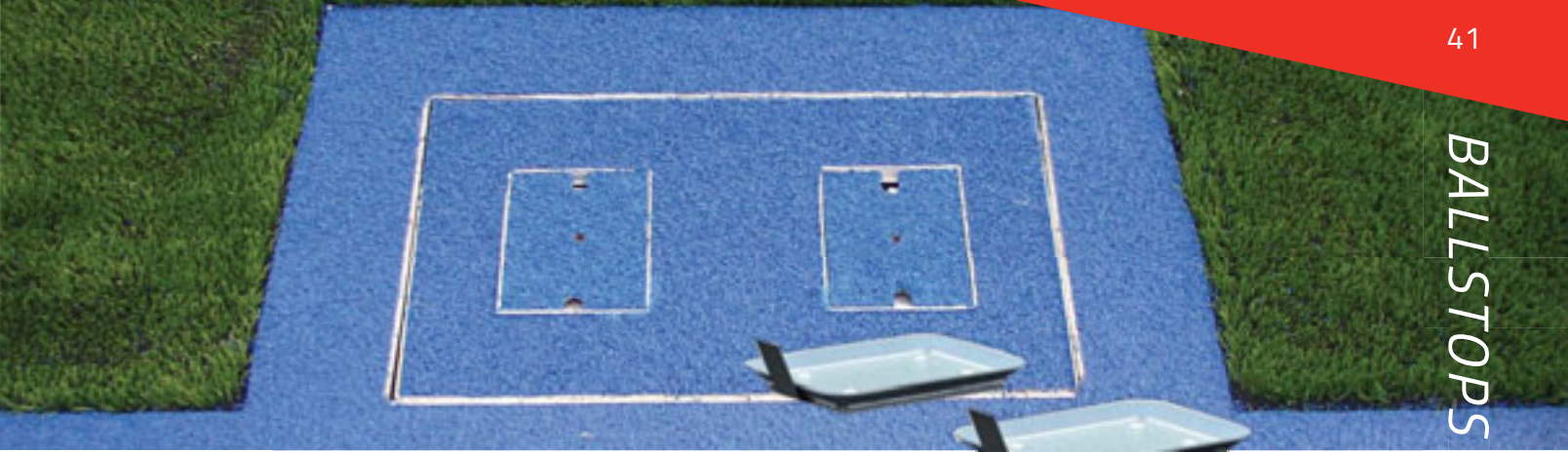
- Net: #504 Weather treated 1 3/16" square mesh net with 1/4" roped edge and 180 lb break strength
- Net is supported at the top and held in place at the bottom by a 1/8" vinyl covered steel cable
- The 8062 is a portable system which uses a platform base with wheels that is weighted down by four 5 gallon jugs (included)
- The 807 is installed in aluminum ground sleeves (caps are included for use when poles are removed)
- **Purchase one starter unit and as many additional units as needed to reach your desired overall length (Sold in 20' lengths)**
- **All poles are now powder coated in architectural black – Other colors available for an additional 5%**

8062	Portable Starter Unit (10' x 20')	\$1729
8062A	Portable Additional Unit (10' x 20')	\$1009
807	Sleeved Starter Unit (10' x 20')	\$569
807A	Sleeved Additional Unit (10' x 20')	\$409

COLOR OPTIONS

01	02	03	04	05	06			
LIGHT BLUE	ROYAL BLUE	RED	WHITE	ORANGE	YELLOW GOLD			
07	08	09	10	11	12	13	14	15
SILVER	OLD GOLD	GRAY	MAROON	PURPLE	BLACK	NAVY BLUE	KELLY GREEN	DARK GREEN

Colors options are available for an additional 5%. Default Color is Black.



VERSACOM BOXES

CONNECTING IT ALL TOGETHER

The VersaCom Box provides a junction for electricity and cable hookups. This box can be put in virtually any location around performance areas of varying surfaces. The open bottom of the VersaCom Box provides adequate drainage and conduit entry, while the hand holes in the cover allow easy access.

- Divider plates in full size version, provided to help keep electrical equipment segregated
- Main box structure is made of 1/4" thick folded aluminum
- Lid is constructed of 1/4" aluminum plates for maximum support and durability.

The VersaCom Box - Synthetic Version allows material to be bonded or poured onto the top of the lid to match the surrounding surface. The F91033 and F93033 versions have black Vultrak bonded to the lid. This addition is usually for asphalt applications (this material can also be painted).

The VersaCom Box - Turf Version. Aluminum top is supplied to allow artificial turf to be glued on the jobsite, and is tethered to the box. This top is reinforced with multiple aluminum plates for maximum strength and durability. Factory installed turf infill retention brushes keep infill out of the box.



SOLD SEPARATELY

VERSACOM RISER

The VersaCom Riser has the same dimensions as a full-size VersaCom Box. The riser attaches to the bottom creating a box that is twice as deep.

F90010 Versacom Riser **\$499**

VERSACOM BOXES		FULL SIZE (30" L x 18" W x 14" D)		HALF SIZE (15" L x 18" W x 14" D)	
SYNTHETIC VERSIONS	<i>Synthetic</i>	F910	\$969	F930	\$669
	<i>Black Vultrak (factory installed)</i>	F91033	\$1149	F93033	\$789
TURF VERSION	<i>Turf</i>	F960	\$879	F970	\$699



BENCHES

Benches are aluminum planking attached to heavy steel support frames. Bench seat is 10" wide and available with a powder-coat finish. Bench seats are 1' 6" high.

- Non-slip, grooved type top surface with reinforcing ribs
- Galvanized structural steel support frames
- 10" wide aluminum alloy planks
- Plank ends are fitted with die-cut formed caps



ALUMINUM BENCH WITH SHELF

74081	8' Bench, Aluminum Finish	\$879
74081CXX	8' Bench, Powder Coat	\$929
74161	16' Bench, Aluminum Finish	\$1459
74161CXX	16' Bench, Powder Coat	\$1609



ALUMINUM BENCHES

Portable Benches:

72081	8' Bench, Aluminum Finish	\$319
72081CXX	8' Bench, Powder Coat	\$349
72161	16' Bench, Aluminum Finish	\$479
72161CXX	16' Bench, Powder Coat	\$519

Stationary (Ground Sleeve) Benches:

72082	8' Bench, Aluminum Finish	\$219
72082CXX	8' Bench, Powder Coat	\$241
72162	16' Bench, Aluminum Finish	\$339
72162CXX	16' Bench, Powder Coat	\$369

ALUMINUM BENCHES WITH BACKREST

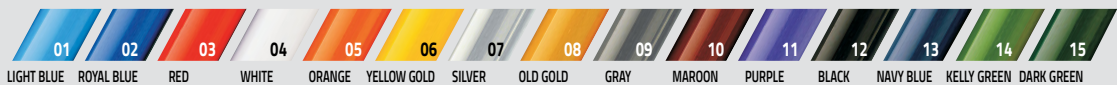
Portable Benches with Backrest:

73081	8' Bench, Aluminum Finish	\$489
73081CXX	8' Bench, Powder Coat	\$539
73161	16' Bench, Aluminum Finish	\$759
73161CXX	16' Bench, Powder Coat	\$839

Stationary (Ground Sleeve) Benches with Backrest:

73082	8' Bench, Aluminum Finish	\$439
73162	16' Bench, Aluminum Finish	\$459
73162CXX	16' Bench, Powder Coat	\$829

COLOR OPTIONS



To specify color with order, use the two-digit number of your color selection to replace XX in the item number.

BLEACHERS

INDOOR & OUTDOOR

BENCHES & BLEACHERS

381083



STATIONARY OUTDOOR BLEACHERS

- Non-slip, grooved type top surface with reinforcing ribs
- 10" wide aluminum alloy planks
- Galvanized structural steel support frames
- Plank ends are fitted with die-cut formed caps

381083	8' Long, 3 Row Bleachers	\$939
381084	8' Long, 4 Row Bleachers	\$1189
381085	8' Long, 5 Row Bleachers	\$1469
381163	16' Long, 3 Row Bleachers	\$1589
381164	16' Long, 4 Row Bleachers	\$1959
381165	16' Long, 5 Row Bleachers	\$2479



380155



379283

STATIONARY OUTDOOR BLEACHERS

Set up seating wherever you need it. When spectator viewing space is at a minimum, the Tip & Roll seating system is a must. The hardy bleachers use the same sturdy construction as the outdoor models.

- Aluminum construction
- Non-marking 4" swivel casters
- Bi-directional model Ideal between two fields
- Easy to transport

379283	8' Long, 3 Row Bleachers	\$1339
379163	16' Long, 3 Row Bleachers	\$2219

379283





PREMIER SOCCER SHELTER / STATIONARY OR PORTABLE

Without a doubt the finest international styled team seating on the market today. 12' wide x 6'-4" deep x 7' high with seating for up to 14 players. Elevated floor keeps your gear high and dry while the tinted polycarbonate panels protect you from the elements. Removable padded marine grade seat covers come in a wide variety of standard colors: light blue, royal blue, red, white, orange, yellow, gold, gray, maroon, purple, black, navy blue, green, and dark green.

- Aluminum framing with durable gray powder coat finish
- Optional wheel kit and soft side panels
- **3 Year Warranty**

542212XX	Premier Shelter; Choose Color	\$9899/ea
54220000	Wheel Kit	\$849/ea
542200XX	Removable Side Panels; Choose Color	\$649/ea



ESSENTIAL PORTABLE TEAM SHELTER

6'-10" high x 4'-8" deep team shelter. Mill finish aluminum construction with tinted polycarbonate panels on the sides and back (custom powder coat finishes available – contact our sales department for cost and availability). Clear anodized aluminum bench seat with back.

- Includes 8.5" rubber wheels & anchors
- European styling
- **3 Year Warranty**

542108XX	8' Bench	\$3149/ea
542112XX	12' Bench	\$3979/ea
542116XX	16' Bench	\$5849/ea
542120XX	20' Bench	\$7249/ea
542124XX	24' Bench	\$8399/ea



PORTABLE PRESS TOWER

Multi-use tower can be used for coaching, filming, press and media. Non-skid decking. 5'-9" platform height. 4' x 10'-6" platform size with an overall size of 7' x 10'-6". Anodized aluminum bench with back moves forward and back. 16" pneumatic wheels– two locking and two swivel wheels. Optional soft enclosure for inclement weather.

- Weather resistant top cover available in colors
- Heavy duty aluminum construction
- **3 Year Warranty**

542359XX	Press Tower	\$13249
542300XX	Removable Side Curtain	\$1259
54230000	Towing Kit	\$419

COLOR OPTIONS



To specify color with order, use the two-digit number of your vinyl color selection to replace XX in the item number.

BASEBALL FOUL POLES

Baseball foul poles extend the foul lines vertically to provide a visual indication of the fair versus foul territory. Made of two sections that bolt together in the field, constructed of heavy-duty steel pipe. Available in three heights, sold in pairs in a durable yellow powder coat finish.

- 8' wing panels
- Available in optic yellow (18), white (04) and optic orange (24)
- GSMIF (ground sleeve miss installation forgiveness)

NEW! 12' POLE!

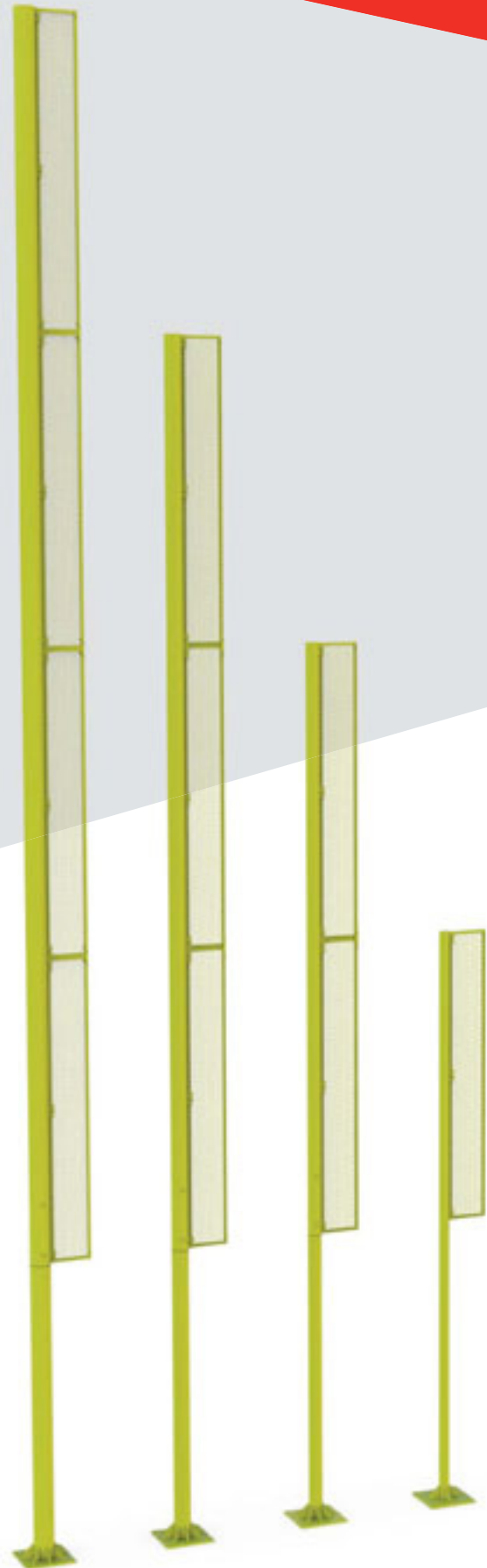
In Ground/Sleeved:

333012CXX	12', No Wings	\$269
333016CXX	16', 1 Wing	\$989
333024CXX	24', 2 Wings	\$2259
333032CXX	32', 3 Wings	\$3839
333040CXX	40', 4 Wings	\$5389

Surface Mount:

333116CXX	16', 1 Wing	\$1969
333124CXX	24', 2 Wings	\$3389
333132CXX	32', 3 Wings	\$5599
333140CXX	40', 4 Wings	\$6329

SEATING SHELTERS & BASEBALL FOUL POLES



NEED HELP ORDERING?

We are on your team! | 1.800.637.3090



GILL SPORTS CONSTRUCTION



54621



54623



54625

NEW! PITCHER'S MOUND

- Artificial turf adheres to fiberglass mound
- Requires little maintenance
- No lip design eliminates risk of bad bounces
- The mound is designed to adapt to dirt, grass and artificial turf surfaces
- Adult 10" mound designed for High School, College and Pro Baseball
- Youth 8" mound designed for all youth leagues, Pony League, Middle and Junior High School

Adult:

54621	Adult Mound with Turf	\$12999
54622	Adult Mound without Turf	\$10199
54623	Single 3 Piece Bullpen with Turf	\$8899
54624	Single 3 Piece Bullpen without Turf	\$6499
54625	Double 5 Piece Bullpen with Turf	\$12999
54626	Double 5 Piece Bullpen without Turf	\$10199
54628	Adult Replacement Turf	\$799

Youth:

54620	4 Piece Youth Mound with Turf	\$4799
54627	Youth Replacement Turf	\$499

54620



BATTING TUNNELS & CAGES

BASEBALL PITCHER'S MOUND, BATTING CAGES & TUNNELS



BATTING TUNNELS

- Heavy duty 8 - 3/8" OD steel poles
- Premium architectural black powder coating
- Four steel pole design creates an open cage with the net hanging freely so balls stop without rebound
- 1/4" galvanized aircraft quality cable
- Easy turnbuckle adjustment, and quick clip (snap hook) net attachment
- #36 weather treated knotted netting, machine sewn stitched rope borders, top center rib line for height control, and double door entry on one end

330155	Single, 55' long	\$6399
330175	Single, 75' long	\$6999
330255	Double, 55' long	\$10499
330275	Double, 75' long	\$11599
330355	Triple, 55' long	\$14499
330375	Triple, 75' long	\$16299



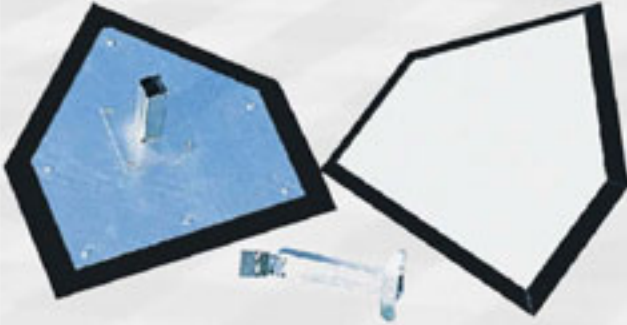
BATTING CAGES

The cage is 10' high x 12' wide and available in either a 50' or 70' length. Netting is constructed of a durable, black UV resistant weather treated nylon with a 1 3/4", #420 square mesh. The net is supported by 2 3/8" diameter aluminum uprights to provide lightweight, yet extremely rigid supports. Uprights extend into either outdoor or indoor sleeves and are furnished with ropes, pulleys, and rope cleats to provide ease of set up of the entire system without the use of ladders.

330150	50' Cage (8 Sleeves Required)	\$2739
330170	70' Cage (10 Sleeves Required)	\$3569
802025	Outdoor Ground Sleeve (1)	\$29



BASEBALL BASES



MAJOR LEAGUE HOME PLATE

Designed to withstand the battering of cleats, the sturdy hard rubber base is ready for the abuse brought on by competitive games and practices. Runners sliding into home won't dislodge the base thanks to the included anchor, while the beveled edges prevent cleats or uniforms from snagging during the slide.

33250 Major League Home Plate **\$110**



MAJOR LEAGUE SHOCK ABSORBING BASE

Cushioned base designed to help reduce injury. Durable, one-piece molded rubber base with no metal parts. Removable white center post for easy storage and replacement. Does not include anchors.

33251 Set of 3 Bases **\$230**
33253 Replacement White Center Posts, Set of 3 **\$35**



4-WAY PITCHERS RUBBER

Molded rubber construction with inner support tubing lasts through tough games and practices. Can be periodically rotated for use over multiple seasons.

33252 Pitchers Rubber **\$105**



BASE PLUGS

33255 Base Plugs, Set of 3 **\$42**



GROUND ANCHOR SET

33254 Ground Anchors, Set of 3 **\$25**

NEW!

BASEBALL DUGOUTS

BASEBALL BASES & DUGOUTS



GAMESHELTER DUGOUT

- 8' tall x 8' wide
- 120 MPH wind rating and 50 lb/sq ft snow rating
- Bolt together design
- Available in all 15 powder coat colors
- Roof panel only available in white

330812CXX	12' Long	\$2599
330824CXX	24' Long	\$4549
330836CXX	36' Long	\$6499
330848CXX	48' Long	\$8449

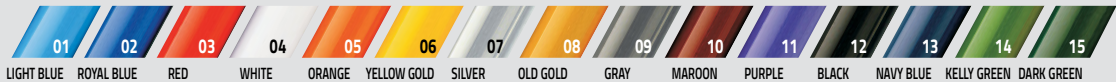


CANTILEVER DUGOUT

- 8' tall x 8' wide
- 24" rear offset
- 120 MPH wind rating and 50 lb/sq ft snow rating
- Bolt together design
- Available in all 15 powder coat colors
- Roof panel only available in white

340812CXX	12' Long	\$2509
340824CXX	24' Long	\$2849
340836CXX	36' Long	\$6209
340848CXX	48' Long	\$7999

COLOR OPTIONS



To specify color with order, use the two-digit number of your color selection to replace XX in the item number.





90360006XX



90361002XX

BACKSTOP & FIELD WALL PADDING

RIGID BACKED PADS

- Back panel is made of exterior grade, 1/2" thick composite wood for use in high or continuous moisture installations
- Optional installation with extruded aluminum "Z" type clips allowing seasonal removal, repair, or replacement
- Panels available in 4' widths and are available in custom sizes
- Pad meets the minimum ASTM F2440 impact standard specification

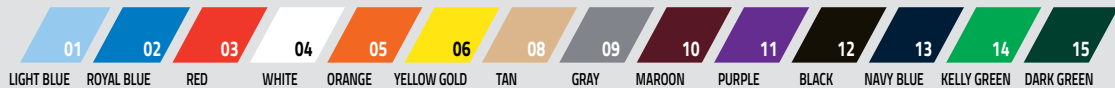
90360002XX	4' x 2' Pad	\$115
90360003XX	4' x 3' Pad	\$157
90360004XX	4' x 4' Pad	\$172
90360005XX	4' x 5' Pad	\$273
90360006XX	4' x 6' Pad	\$276
90360007XX	4' x 7' Pad	\$289
90360008XX	4' x 8' Pad	\$292
00362040	Wall Attach Z-Clips (1 Panel- 4 Clips) 3' 10" Long	\$65
00362020	Wall Attach Z-Clips (1 Panel- 2 Clips) 3' 10" Long	\$40

SEWN PADS

- Sewn padding is a must on chain-link backstop and fences while rigid backed pads add protection to concrete/wooden stadium walls
- 2.25" thick moisture resistant, polyethylene foam
- Cover is 15 oz. poly-Vinyl laminate that repels water, rot, mildew, UV light with maximum tear & abrasion resistance
- 1 1/2" wide grommet flaptop and bottom
- Grommets are spaced on 9" centers for securing with hardware furnished by the installer
- Pad meets the minimum ASTM F2440 impact standard specification

90361002XX	4' x 2' Pad	\$289
90361003XX	4' x 3' Pad	\$299
90361004XX	4' x 4' Pad	\$319
90361005XX	4' x 5' Pad	\$339
90361006XX	4' x 6' Pad	\$349
90361007XX	4' x 7' Pad	\$379
90361008XX	4' x 8' Pad	\$379

COLOR OPTIONS



To specify color with order, use the two-digit number of your vinyl color selection to replace XX in the item number.



FENCE PADDING KIT

Designed to pad the top rail of woven wire fence and minimize injuries to players during outdoor activities.

Pads consist of shock absorbing, closed cell weather resistant polyethylene foam and a polyester reinforced cover with grommets and durable nylon, self-locking type wire ties. Kit is provided in 9 slit sections of 3 1/2" O.D. x 2" I.D. foam in 28" lengths. The cover is one 20' section, which may be easily cut to provide custom lengths when required. Standard is yellow, available in 14 colors.

003581XX 20' Padding **\$429**



FENCE TOPPERS

An inexpensive way to outline the perimeter of your ballpark and reduce player injuries by adding protection and clear visibility. Constructed of bright yellow 4" diameter rigid corrugated plastic tubing. Pre-split for use with install tool for easier installation. Weather treated and UV protected to last the test of time. Adds a professional quality appearance on every game day. Optional installation tool and UV resistant cable ties available.

332F106	100' Length	\$164
332F256	50' Length	\$237
332F3	Installation Tool	\$59
332F4	21" Cable Ties, Set of 100	\$38



RAIL PADDING

8' long pads are polyethylene foam with colored vinyl coating. UV, weather and rot resistant pads are pre-slit for easy installation. Fits over any 2 1/8" diameter or less pipe.

35901	Light Blue	\$40
35903	Red	\$40
35906	Yellow	\$40
35909	Gray	\$40
35912	Black	\$40
35913	Navy	\$40
35914	Green	\$40





884

ESSENTIALS TENNIS POSTS

- Competition tennis post designed with a unique, totally enclosed net tensioning mechanism
- 3.5" OD high strength steel posts with heavy duty dark green outdoor powder coating
- Integral cap assembly with tamper resistant attachment hardware to prevent vandalism or use by unauthorized individuals.
- Posts are sold in pairs and ground sleeves are included

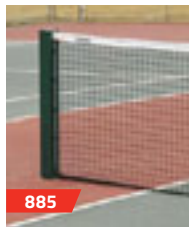
884 Pair of Essentials Tennis Posts **\$369**

ELITE TENNIS POSTS

- 4" square aluminum
- Available in colors for an additional cost

885 Pair of Elite Tennis Posts **\$559**

885CXX Pair of Elite Tennis Posts with Custom Color **\$615**



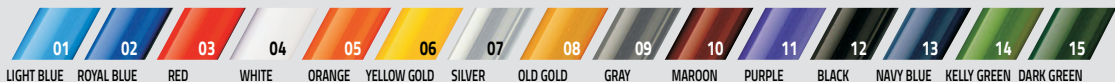
SOLD SEPARATELY

00885500	Singles Stick	\$102/pr
02238000	Center Tie Down Strap	\$24/ea
02239000	Center Net Anchor - Outdoor	\$16/ea
02238100	Center Net Anchor - Indoor	\$20/ea
2235	Competition Indoor/Outdoor Tennis Net; 42' x 39'	\$229/ea
010970XX	Tennis End Post Pads	\$294/ea
010971XX	Tennis Center Post Pad	\$209/ea
00444000	Outdoor Ground Sleeve for 4' Square Posts	\$149/ea

INTERESTED IN PICKLEBALL?

Center tie down straps and anchors can be used to set tennis nets at official pickleball height.

COLOR OPTIONS



To specify color with order, use the two-digit number of your color selection to replace XX in the item number.



TUFFY® WINDSCREENS

Screens are made with an exclusive durable mesh fabric of tightly woven micro-fibers: it's virtually tear-proof. Tuffy is the only windscreen finished with double-needle lock stitching, eliminating the thread unraveling problem of traditional windscreens. Includes 5 year warranty, available in 20 colors. Grommets every 12". 78% shading. Custom printing available - call for details.

912014	Tuffy® 4' Windscreen, Per Linear Foot	\$5.09/ln ft
912015	Tuffy® 5' Windscreen, Per Linear Foot	\$5.09/ln ft
912016	Tuffy® 6' Windscreen, Per Linear Foot	\$5.99/ln ft
912019	Tuffy® 9' Windscreen, Per Linear Foot	\$7.59/ln ft
912065	6' x 5' Ballasted Tuffy® Windscreen	\$120/ea

AER-FLO® VCP WINDSCREENS

Made from 8 oz. vinyl coated polyester mesh with double lock-stitch sewn ends/corners. Grommets every 12"; available in Black, Dark Green, Navy, Royal Blue, Red, or Maroon. Includes 2 year warranty. 70% shade. Custom printing available - call for details.

912026	VCP 6' Windscreen, Per Linear Foot	\$4.79/ln ft
912029	VCP 9' Windscreen, Per Linear Foot	\$8.19/ln ft

LENO WINDSCREENS

Made of leno polypropylene mesh. Reinforcing threads resist tearing, features ultraviolet and mildew inhibitors. Allows 15% wind passage; popular in high wind areas. Available in Dark Green, Black, or Royal, printing not available on this fabric.

912036	Leno 6' Windscreen, Per Linear Foot	\$5.19/ln ft
912039	Leno 9' Windscreen, Per Linear Foot	\$8.69/ln ft

CLOSED MESH POLY WINDSCREENS

Allowing only 8% wind passage, this screen has both high wind blockage and high visual blockage properties. Heavyweight polypropylene fabric is treated for UV, mildew, and insect resistance. Available in Dark Green or Black, grommets every 18". Air vents and tie downs are recommended. Printing not available on this fabric.

912046	6' Poly Closed Mesh Windscreen, Per Linear Foot	\$5.69/ln ft
912049	9' Poly Closed Mesh Windscreen, Per Linear Foot	\$9.09/ln ft

OPTIONAL/RECOMMENDED ACCESSORIES

912051	Homerun Zone Windscreen Topper, Per Linear Foot	\$1.49/ln ft
912071	Hemmed Windscreen 6" x 12" Window	\$8.29/ea
912081	Rectangular Windscreen 6" x 12" Air Vent	\$8.29/ea

COLOR OPTIONS

01	02	03	04	05	06	08	09	10	11	12	13	14	15
LIGHT BLUE	ROYAL BLUE	RED	WHITE	ORANGE	YELLOW GOLD	TAN	GRAY	MAROON	PURPLE	BLACK	NAVY BLUE	KELLY GREEN	DARK GREEN





601 Mercury Drive
Champaign, IL 61822
USA



OFFICIAL TRACK & FIELD
EQUIPMENT SUPPLIER



OFFICIAL
PARTNER



GILLATHLETICS.COM 800.637.3090

Prefer an E-Catalog instead? To unsubscribe from future mailings go to www.litaniasports.com/unsubscribe